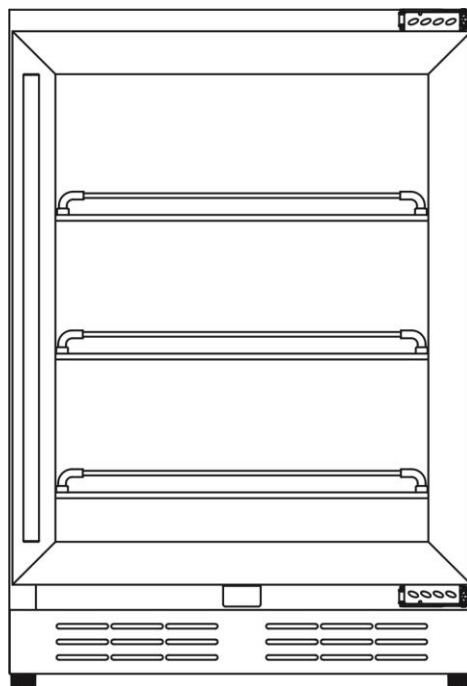




Instruction Manual

Model: EBS51PR1



**BEFORE USE, PLEASE READ AND FOLLOW ALL SAFETY RULES
AND OPERATING INSTRUCTIONS. KEEP THIS MANUAL IN A SECURE LOCATION.**

IMPORTANT SAFETY INSTRUCTIONS


- Read all instructions before using the appliance.
- This appliance is not intended for use by persons (including children) with reduced physical, sensory or mental capabilities, or lack of experience and knowledge, unless they have been given supervision or instruction concerning use of the appliance by a person responsible for their safety.
- Children should be supervised to ensure that they do not play with the appliance.
- If the supply cord is damaged, it must be replaced by the manufacturer, its service agent or similarly qualified persons in order to avoid a hazard.
- **WARNING:** When positioning the appliance, ensure the supply cord is not trapped or damaged.
- **WARNING:** Do not locate multiple portable socket-outlets or portable power supplies at the rear of appliance.
- **WARNING:** Keep ventilation openings, in the appliance enclosure or in the built-in structure, clear of obstruction.
- **WARNING:** Do not use mechanical devices or other means to accelerate the defrosting process, other than those recommended by the manufacturer.
- **WARNING:** Do not damage the refrigerant circuit.
- **WARNING:** Do not use electrical appliances inside the food storage compartments of the appliance, unless they are of the type recommended by the manufacturer.
- Do not store explosive substances such as aerosol cans with a flammable propellant in this appliance.
- This appliance is intended to be used in household and similar applications such as
 - staff kitchen areas in shops, offices and other working environments;
 - farm houses and by clients in hotels, motels and other residential type environments;
 - bed and breakfast type environments;

- catering and similar non-retail applications.
- Plug into a grounded 3-prong outlet. Do not remove grounding prong, do not use an adapter, and do not use an extension cord.
- It is recommended that a separate circuit, serving only your appliance, be provided. Use receptacles that cannot be turned off by a switch or pull chain.
- Never clean appliance parts with flammable fluids. These fumes can create a fire hazard or explosion.
- Before proceeding with cleaning and maintenance operations, make sure the power line of the unit is disconnected.
- Do not connect or disconnect the electric plug when your hands are wet.
- Unplug the appliance or disconnect the power before cleaning or servicing. Failure to do so can result in electrical shock or death.
- Do not attempt to repair or replace any part of your appliance unless it is specifically recommended in this manual. All other servicing should be referred to a qualified technician.
- Do not store or use gasoline or any other flammable vapors and liquids in the vicinity of this or any other appliance. The fumes can create a fire hazard or explosion.
- Use two or more people to move/install the refrigerator. Failure to do so can result in back or other injury.
- To ensure proper ventilation for your appliance, the front of the unit must be completely unobstructed. Choose a well-ventilated area with temperatures above 50°F (10°C) and below 100°F (38°C). This unit must be installed in an area protected from the elements, such as wind, rain, water spray or drips.
- The appliance should not be located next to ovens, grills or other sources of high heat.
- The appliance must be installed with all electrical

connections in accordance with state and local codes. A standard electrical supply (115V AC 60 Hz), properly grounded in accordance with the National Electrical Code and local codes and ordinances, is required.

- Do not kink or pinch the power supply cord of the appliance.
- The fuse (or circuit breaker) size should be 15 amps or higher.
- It is important for the appliance to be leveled in order to work properly. You may need to make several adjustments to level it.
- Although the unit has been tested at the factory, due to transit and storage, you should clean the appliance before use.
- Do not use alcohol-based, solvent-based cleaning agents or abrasives on the interior. These cleaners may damage or discolor the interior.
- Do not use this apparatus for other than residential purposes.
- This appliance is CFC- and HFC-free and contains small quantities of Isobutane (R600a) which is environmentally friendly, but flammable. It does not damage the ozone layer, nor does it increase the greenhouse effect. Care must be taken during transportation and setting up of the appliance that no parts of the cooling system are damaged. Leaking coolant can ignite and may damage the eyes.
- In the event of any damage:
 - Avoid open flames and anything that creates a spark,
 - Disconnect from the electrical power line,
 - Air the room in which the appliance is located for several minutes, and Contact the Service Department for advice.
- The more coolant there is in an appliance, the larger the room it should be installed in. In the event of a leakage, if the appliance is in a small room, there is the danger of combustible gases building up. For every ounce of coolant, at least 325 cubic feet of room space is required. The

amount of coolant in the appliance is stated on the data plate on the back of the appliance. It is hazardous for anyone other than an authorized Service Person to carry out servicing or repairs to this appliance.

- Take serious care when handling, moving, and using the appliance to avoid either damaging the refrigerant tubing or increasing the risk of a leak.
- Replacing component parts and servicing shall be done by factory authorized service personnel so as to minimize the risk of possible ignition due to incorrect parts or improper service.
- **WARNING:** Risk of child entrapment. Before you throw away your old refrigerator or freezer:
 - Take off the doors.
 - Leave the shelves in place so that children may not easily climb inside. And make sure the coolant circuit, particularly the heat exchanger at the back/bottom of the unit is not damaged.
-  The recycle symbol on the product or its packaging indicates that this product is not to be handled as normal household waste and it is to be taken to a recycling collection point for electrical and electronic goods.
- The appliance must be positioned so that the plug is accessible after installed.

- SAVE THESE INSTRUCTIONS -

INSTALLATION INSTRUCTIONS

Before Using Your Appliance

- Remove the exterior and interior packing.
- Before connecting the appliance to the power source, let it stand upright for approximately 2 hours. This will reduce the possibility of a malfunction in the cooling system from handling during transportation.
- Clean the interior surface with lukewarm water using a soft cloth.
- Install the handle on the left side of the door using the screws that are provided.

 Avoid use of abrasive products and never use alcohol!

Installation of Your Appliance

- This appliance is designed for free standing or built-in (fully recessed) installation.
- Place your appliance on a floor that is strong enough to support it when it is fully loaded. To level your appliance, adjust the front leveling legs at the bottom.
- Locate the appliance away from direct sunlight and sources of heat (stove, heater, radiator, etc.). Direct sunlight may affect the acrylic coating and heat sources may increase electrical consumption. Extremely cold ambient temperatures may also cause the unit not to perform properly.
- Avoid locating the unit in moist areas.
- Plug the appliance into an exclusive, properly installed and grounded wall outlet. Do not under any circumstances cut or remove the third (ground) prong from the power cord. Any questions concerning power and/or grounding should be directed toward a certified and authorized products service center.
- This appliance is intended to be installed in a space between two units.
The minimum space required is:
600mm wide x 625mm deep x 865mm high
Please note: When the product is installed, there should be a small ventilation gap between the top of the unit and the underside of any fitting above (6mm or 1/4").
- The appliance should always be plugged into its own individual electrical outlet which has a voltage rating that matches the rating label on the appliance. This provides the best performance and also prevents overloading house wiring circuits that could cause a fire hazard from overheating. Never unplug the appliance by pulling on the power cord. Always grip the plug firmly and pull straight out from the receptacle. Repair or replace immediately all power cords that have become frayed or otherwise damaged. Do not use a cord that shows cracks or abrasion damage along its length or at either end. When moving the appliance, be careful not to damage the power cord.

Installation of the Handle

To install the handle, please follow these instructions:

- Carefully pull the door gasket (seal) away from the door in the area where the handle will be attached.
- Place the handle over the screw holes on the outside of the door and attach it with the screws that have been provided. Tighten the screws.
- Press the door gasket back into its groove.

Cutout & Product Dimensions

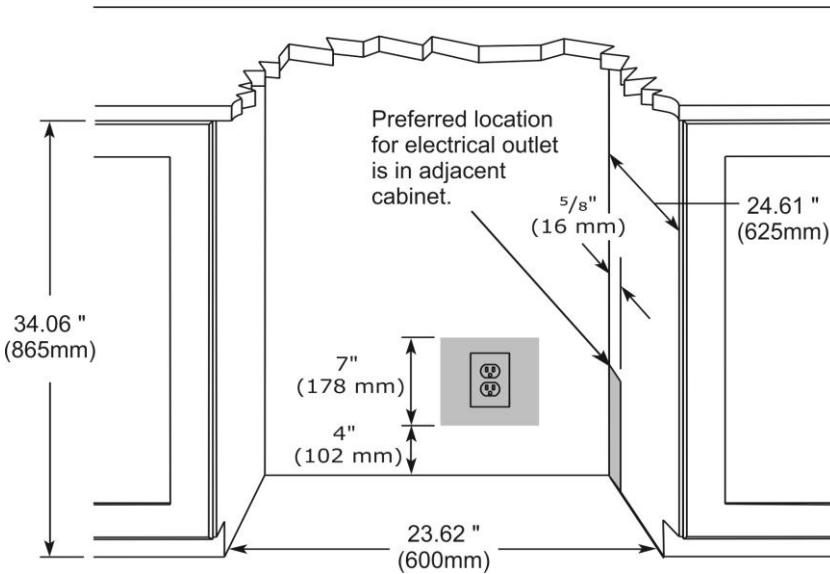
PREPARE SITE

Your product has been designed for either freestanding or built-in installation. When built-in, your unit does not require additional air space for top, sides, or rear. However, the front grille must NOT be obstructed, and clearance is required for an electrical connection in the rear.

⚠ CAUTION

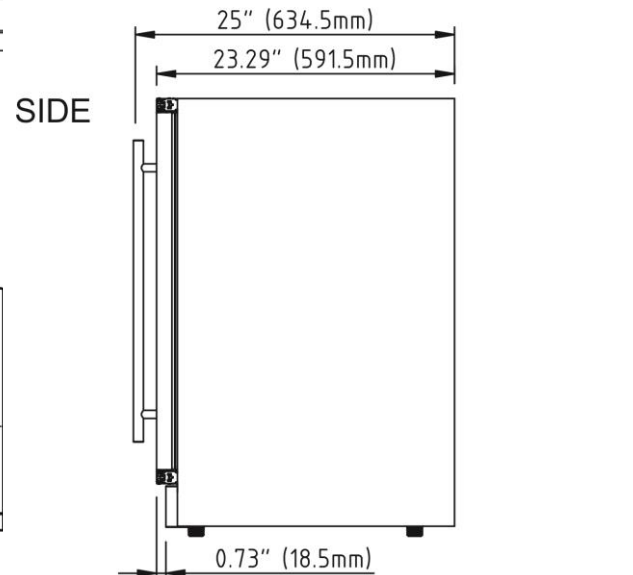
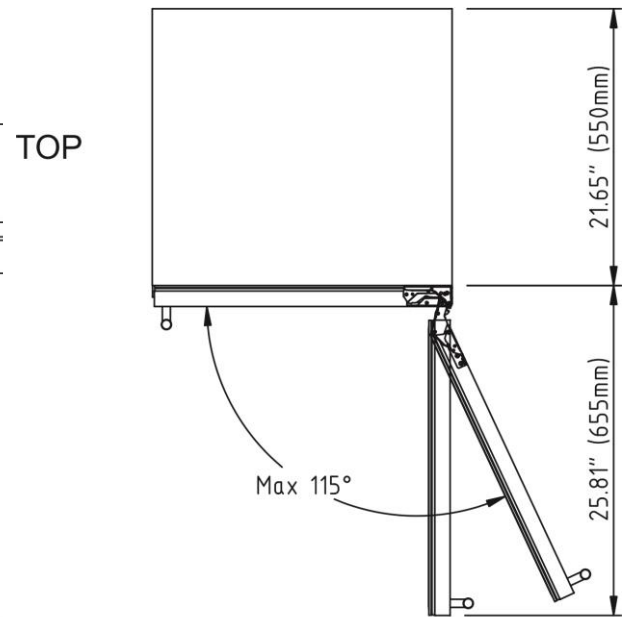
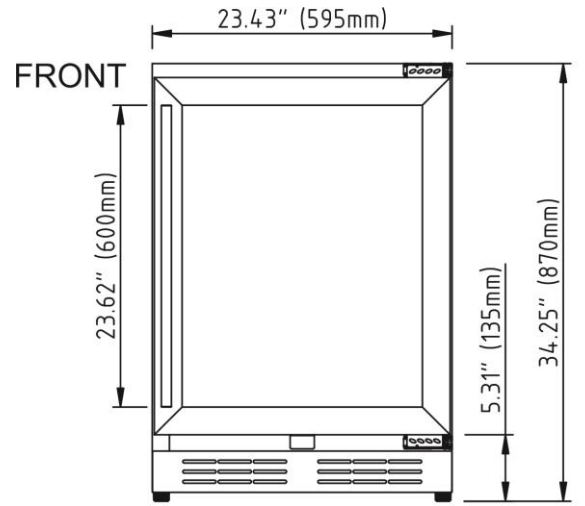
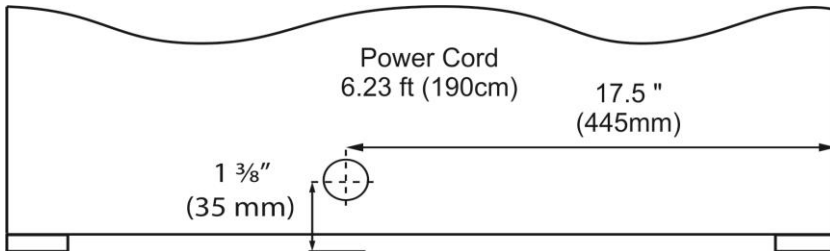
Unit can NOT be installed behind a closed cabinet door.

CUTOUT DIMENSIONS



PRODUCT DIMENSIONS

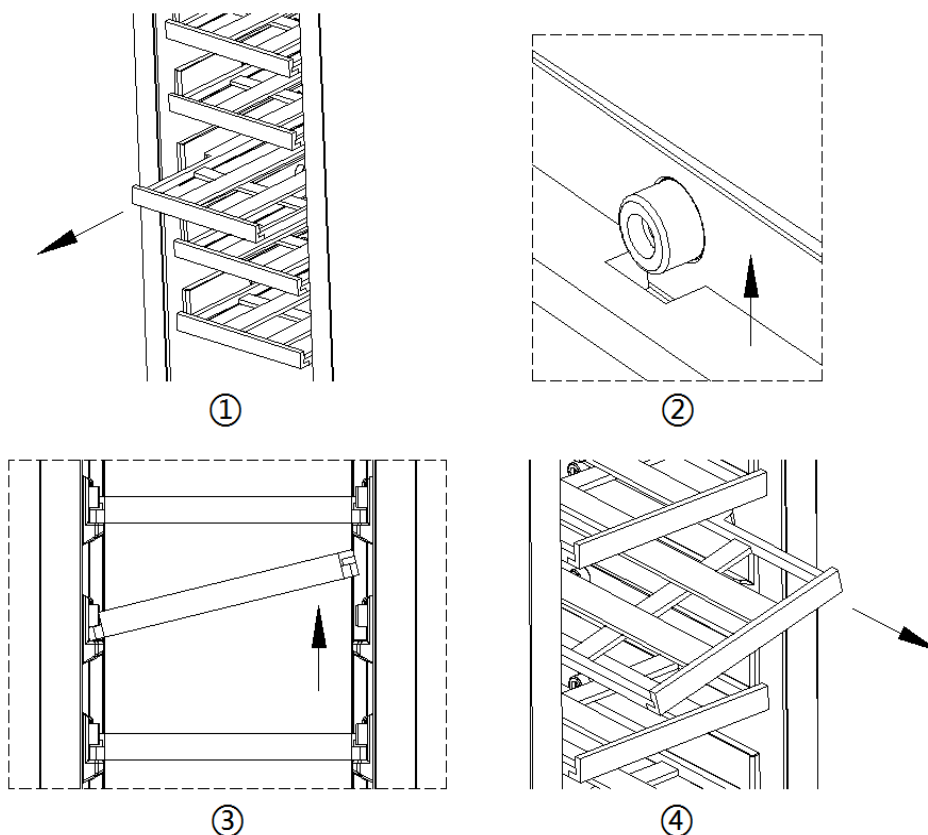
REAR



*Add 12" for integrated models with 3/4" panel installed.

How to put off the shelves

1. Remove all bottles from the shelf.
2. Please keep the door opened fully all the way before pulling the shelves out.
3. Pull the shelf forwards(seeing ①) until groove on either side of the shelf is level with plastic peg on either side of the cabinet(seeing ②). Then lift the shelf up from one side(seeing ③), and pull forwards(seeing ④).



Reversing the Door Swing

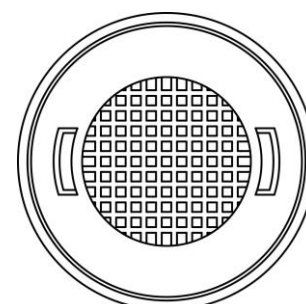
This appliance has the capability of the door opening from either the left or right side. The unit is delivered to you with the door opening from the left side. Should you desire to reverse the opening direction, please follow the instructions below.

1. Open the door.
2. Using a Philips screwdriver, remove the screws from the upper and lower left corners of the unit.
3. Using a Philips screwdriver, remove the two screws of top and bottom hinge.
WARNING: To prevent the door from falling off, it must be held by one person before the screws are loosened by a second person.
4. Rotate the door 180°, align the hinge over screw hole and slide into position. Tighten screws on top and bottom.
5. Remove the switch platen from the top of the door and reinstall it in the center mounting hole at the bottom of the door.
6. Reinstall the previously removed screws back into the upper and lower right corners of the unit.

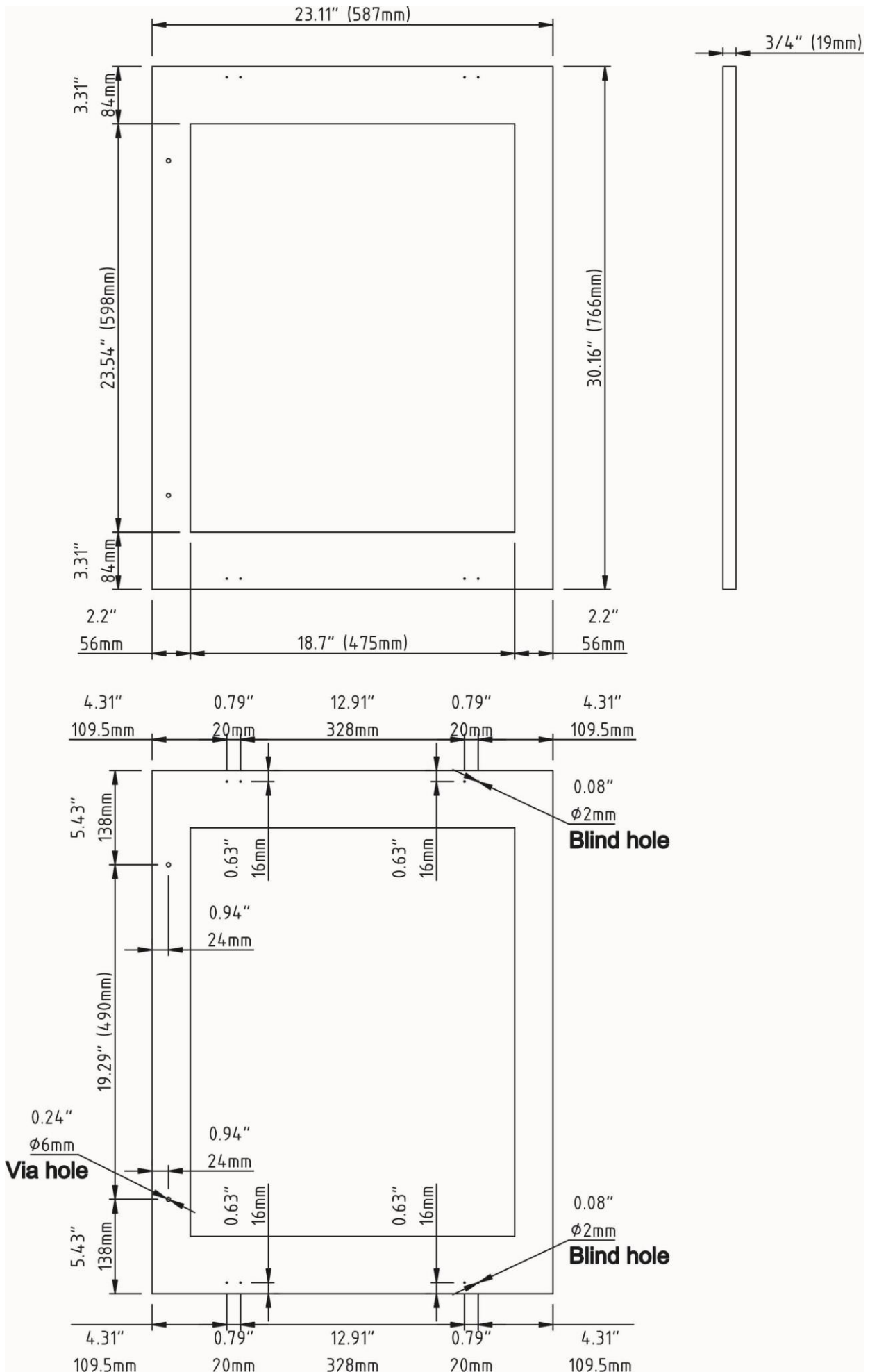
Carbon Filter

A built-in carbon filter protects your wines by acting as a natural barrier against harmful odors. The carbon filter should be replaced every 9-12 months depending on the unit's exposure level to odor. If the unit is placed in a kitchen, regular replacement every three months is ideal.

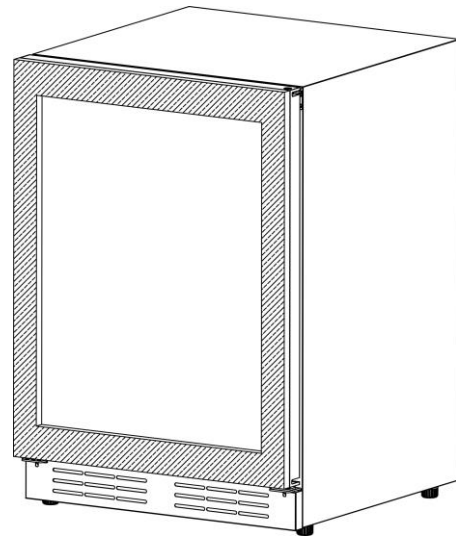
Remove the carbon filter by turning counterclockwise to unlock from rear panel.



Panel Installation



Overlay Panel Dimension:	
Door Panel Width	23.11"
Door Panel Height	30.16"
Door Panel Depth	3/4" max
Door Panel Weight	10 lb. max
Viewable Area Width	18.7"
Viewable Area Height	23.54"



Required Tools:

- Phillips Screwdriver

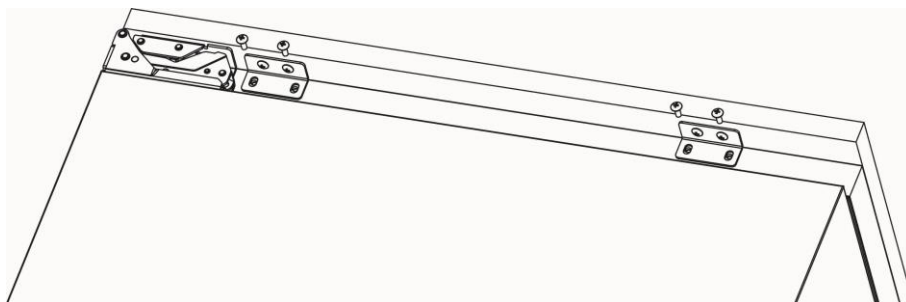
NOTE: The length of overlay panel mounting screws need to be 3/4" plus the thickness of the panel, minus 1/4". ($3/4" + \text{thickness of the overlay panel} - 1/4" = \text{length of screw}$). Types and lengths of screws can vary depending on the material used.

See pages 9 for overlay panel dimensions before installing.

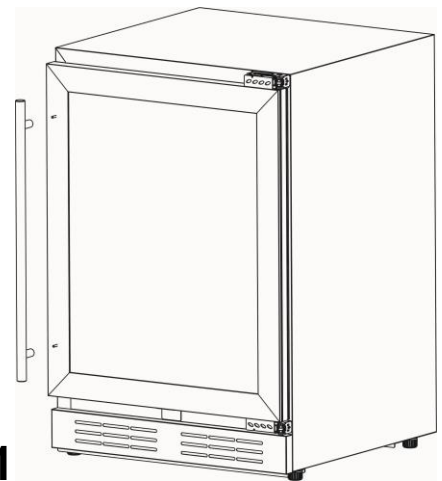
NOTE: DO NOT INSTALL A SOLID PANEL ON A GLASS DOOR. THIS MAY CAUSE MOISTURE TO FORM BEHIND THE PANEL RESULTING IN DAMAGE.

1. Use the Phillips Screwdriver to remove the handle screw and take out the handle. Save the handle and screws for later reinstall.
2. Place the overlay panel on a safe hard flat surface, locate the four panel brackets in the accessory bag, and fix the four brackets according to the mounting holes on the panel.
3. Align the assembled panel with the mounting holes on the top and bottom of the door body and fasten the screws to secure it.

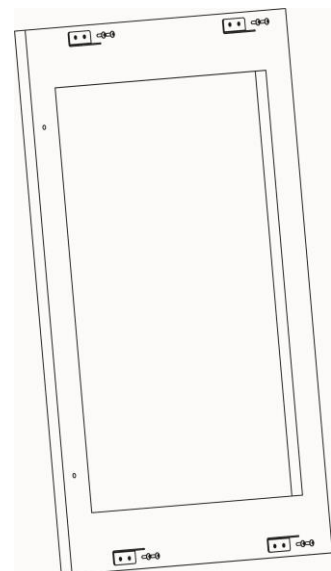
3



1



2



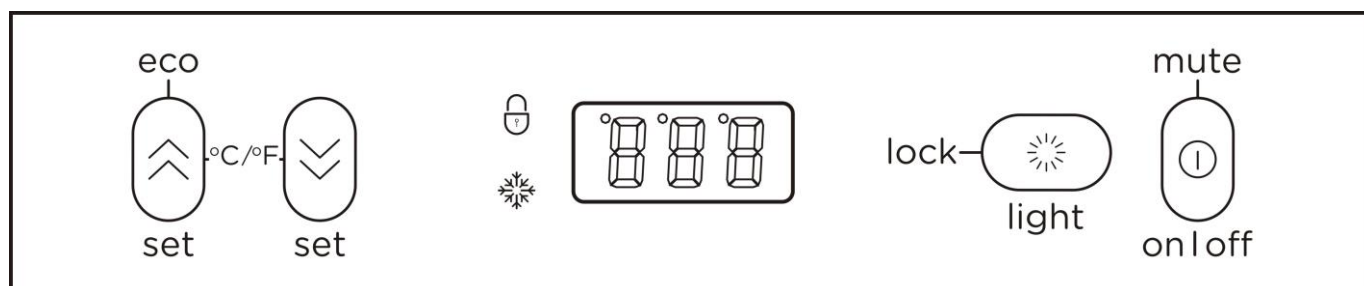
OPERATING YOUR APPLIANCE

Recommended temperatures for Chilling Wine:

Red Wines:	15 ~ 18°C (59 ~ 64.4°F)
Dry / White Wines:	9 ~ 14°C (48.2 ~ 57.2°F)
Sparkling Wines:	5 ~ 8°C (41 ~ 46.4°F)

- The appliance should be placed where the ambient temperature is between 10~38°C (50~100°F). If the ambient temperature is above or below this range, the performance of the unit may be affected. Placing your unit in extreme cold or hot conditions may cause interior temperatures to fluctuate.
- Connect power cord to a properly grounded outlet.
- This appliance is equipped with Memory IC – should there be a power interruption, unit will auto recover at last setting.

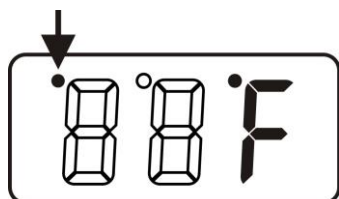
Control Panel:


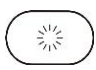




Smart control mode

- When the door is opened, inner light automatically start up and inner fan stop working.
- When the door is closed, inner light automatically shut down.
- **Door ajar alarm:** When the door is opened more than 5 minutes, will send out alarming sound, compressor and outer fan will stop working.

Force Quit the Smart control mode









- Press and hold the buttons  and  simultaneously for 5 seconds, the small dot in the upper left corner of the LED will bright.
- After quit the Smart control mode, the alarm will not sound when the door is open for more than 5 minutes.
Notice: The interior light can only be controlled by pressing the button.

- Press and hold the buttons  and  simultaneously for 5 seconds to re-enter the Smart control mode.



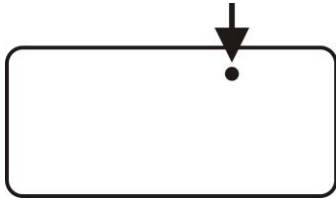
Setting the temperature Control



- Adjustable temperature: 1°C to 18°C (34°F to 65°F)
- Set the desired temperature by pressing the corresponding buttons,  to increase or  to decrease. Each press is in 1-degree increment. Once released, set temperature will flash for approximately 5 seconds then revert back to display the internal temperature.

- To view your set temperature, press either the  or  button once and LED display will flash set temperature for 5 seconds.
- The appliance has the capability to display temperature in either Celsius or Fahrenheit. To change the temperature scale, press and hold both   buttons simultaneously for approx. 3 seconds.

Note: The temperature inside may vary slightly depending on whether or not the interior bulb is ON or OFF and where the bottles are located (upper/middle or lower section).


ECO mode:




- Press and hold the button  for 3 seconds, it can enter or exit ECO mode.
- In this mode, the interior LED light, the compressor indicator  and the temperature value on the display panel will be turned off and the ° will illuminate on the upper left corner of °C / °F.

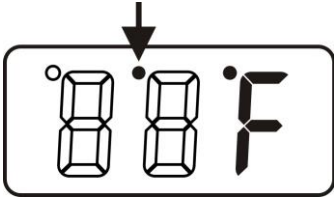



Light / Lock

- LED lamp brightness mode: with Memory IC (when unit restarts after power failure unit will auto recover at last setting), the default brightness is 100%.
- Each time the button  is pressed, the brightness of the LED will be cycled from the four positions (100%, 75%, 50%, OFF)
- Press and hold for 3 seconds to lock or unlock the control panel.

Atmosphere Lamp Mode


Press the button  to set the brightness of the light to 100%, 75%, 50%, the small dot in the middle of the display panel lights up, and the interior light automatically enters the atmosphere light mode: the interior light on (whether the door is open or closed, the interior lights are always on)



Exit the Atmosphere Lamp Mode: Press the button  to set the brightness of the light to OFF, the small dot in the middle of the display board goes out, the interior light exits the ambient light mode and re-enters the smart control mode.



ON/OFF Power / Mute

- To turn the appliance on or off, press and hold the ON/OFF button for 3 seconds.
- When the Door ajar alarm activated, the buzzer will sound continuously. Press  one time alarm will be closed. Contact the Service Department for advice.



LOCK




If illuminated, indicates the control panel is locked.



RUN



When unit's compressor is running, this indicator light will illuminate to signify that cooling mode is currently in operation.

Demo mode

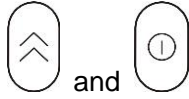
- Press and hold buttons ,  and  simultaneously for 10 seconds, it can enter or exit demo mode.
- In this mode, the display panel can operate settings, but the temperature is fixed display 12°C (54°F), all fans, the compressor does not start.



Defrosting

- The unit defrosts automatically in normal operating conditions.
- The evaporator behind the rear wall of the unit defrosts automatically. Water will drain through the drainpipe from the back of the product. Users need to bring the water to the drain or find a appliance to load the water. (If loading with a appliance, you need to pay attention to clearing the water regularly).
- However, frost may accumulate on the evaporator if the unit is repeatedly opened in a high heat or high humidity location. If this frost pattern does not clear within 24 hours, your unit will require manual defrosting.

Mandatory defrost mode: Press the  and  at one time for 10 seconds, enter the compulsory defrost mode.

Sabbath mode



- Press and hold buttons  and  at the same time for at least 5 seconds to enter or exit Sabbath mode. In this mode, LED will display "Sb". This mode turns off the displays, interior light and prevents them from turning on again. Normal cooling operations will still take place. The compressor and the fan work normally.
- When the cabinet power off, it will not automatically exit Sabbath mode, and it will keep Sabbath mode when power on again. The Sabbath Mode will automatically turn off after 96 hours.

Temperature Alarm Function

If the ambient temperature $\geq 30^{\circ}\text{C}$ (86°F) for 2 hours, the high temperature alarm will be activated, the LED will display "HH", the buzzer will sound continuously, the cooling system continues to work. The display return to normal until the high temperature conditions is relieved.

If the ambient temperature is $< 0^{\circ}\text{C}$ (32°F) for 1 hour, the low temperature alarm will be activated, the LED will display "LL", the buzzer will sound continuously, the cooling system will stop working. The display return to normal until the low temperature is relieved.

NOTE:

- It is normal that the cabinet shows "HH" or "LL" from time to time. If it occurs frequently or lasts for a long time, you can restart the unit by unplugging it, then re-plugging after 5 minutes. If the problem occurs again after restarting, please contact customer service.
- Before reconnecting the power, wait 3 to 5 minutes. Otherwise, you could damage your appliance. If you attempt to start the appliance before the end of this time delay, the appliance will not turn on.
- If you turn on the appliance for the first time or after a restart, or after it has been out of operation for a long time, there may be a temperature difference between the temperature inside the appliance and that on the LED display. This is a normal event caused by the duration of the activation period. Leave the appliance turned on for several hours and the temperatures will stabilize during operation.

CARE AND MAINTENANCE

Cleaning Your Appliance

1. Turn off the power, unplug the appliance, and remove all items.
2. Wash the inside surfaces with a warm water and baking soda solution. The solution should consist of about 2 tablespoons of baking soda to a quart of water.
3. Wring excess water out of the sponge or cloth when cleaning the area of the controls or any electrical parts.
4. Wash the exterior of the cooler with a warm solution of mild liquid detergent. Rinse well and wipe dry with a clean, soft cloth.

Power Failure

Most power failures are corrected within a few hours. If your power is going to be off for a longer period of time, you need to take the proper steps to protect your contents.

Transporting Your Appliance

If you need to move your appliance once the box has been discarded:

1. Securely tape down all loose items inside your appliance.
2. Turn the adjustable legs up to the base to avoid damage.
3. Be sure the appliance stays secure in the upright position during transportation. Also protect the outside of the appliance with a blanket or similar item.

Energy-Saving Tip

The appliance should be located in the coolest area of the room, away from heat-producing appliances and out of direct sunlight.

PROBLEMS WITH YOUR APPLIANCE

You can solve many common problems easily, saving you the cost of a possible service call. Try the suggestions below to see if you can solve the problem before calling the servicer.

TROUBLESHOOTING GUIDE

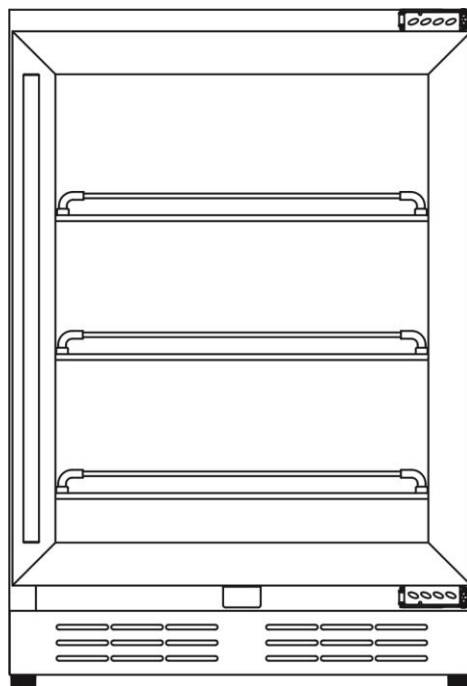
PROBLEM	POSSIBLE CAUSE	REMEDY
Appliance does not operate.	<ul style="list-style-type: none"> • The unit defrosts automatically in normal operating conditions. • The appliance is turned off. • Tripped circuit breaker or a blown fuse. 	<ul style="list-style-type: none"> • Connect the appliance. • Switch on the appliance. • Switch on the circuit breaker or replace the fuse.
Appliance is not cold enough.	<ul style="list-style-type: none"> • The temperature is not set correctly. • The ambient temperature could require a lower temperature setting. • The condenser is too dirty. • The ventilation opening is blocked or too dusty. 	<ul style="list-style-type: none"> • Check the set temperature. • Set a lower temperature. • Clean the condenser when necessary. • Clear the obstructions and wipe off the dust.
Appliance turns itself on and off frequently.	<ul style="list-style-type: none"> • The room temperature is higher than average. • A large number of bottles has been added to the unit. 	<ul style="list-style-type: none"> • Put the appliance in a cooler place. • Leave the appliance to work for a while until the set temperature has been reached.
The light does not work.	<ul style="list-style-type: none"> • Appliance is not connected to a power supply. • Tripped circuit breaker or a blown fuse. • The light was switched off on the control panel. 	<ul style="list-style-type: none"> • Connect the appliance. • Switch on the circuit breaker or replace the fuse. • Switch on the light.
Vibrations	<ul style="list-style-type: none"> • The appliance is not properly level. 	<ul style="list-style-type: none"> • Level the appliance with the adjustable feet.
The appliance seems to make too much noise.	<p>The rattling noise may come from the flow of the refrigerant, which is normal. As each cycle ends, you may hear gurgling sounds caused by the flow of refrigerant in your appliance.</p> <p>If temperature fluctuations occur, the contraction and expansion of the inner walls may cause popping and crackling noises.</p>	
	<ul style="list-style-type: none"> • The appliance is not properly level. 	<ul style="list-style-type: none"> • Level the appliance with the adjustable feet.
Display “E1”, “E2”.	<ul style="list-style-type: none"> • “E1” or “E2” indicates that the air temperature sensor has failed. 	<ul style="list-style-type: none"> • Call for service.

NOTE: This appliance is intended to be used exclusively for the storage and display of wines in restaurants, hotels, bars and other commercial settings.



Manual de instrucciones

Modelo: EBS51PR1



**ANTES DE UTILIZAR EL PRODUCTO, LEA Y SIGA TODAS LAS NORMAS DE SEGURIDAD
E INSTRUCCIONES DE USO. CONSERVE ESTE MANUAL EN UN LUGAR SEGURO.**

INSTRUCCIONES DE SEGURIDAD IMPORTANTES

- Lea atentamente las instrucciones antes de utilizar este producto.
- Este producto no está diseñado para que lo utilicen personas (incluidos niños) con capacidades físicas, sensoriales o mentales reducidas, o sin conocimiento ni experiencia previa en productos similares, a menos que hayan recibido supervisión o instrucciones sobre el uso correcto del producto por una persona responsable de su seguridad.
- Asegúrese de supervisar a los niños cuando utilicen el producto para evitar que jueguen con el aparato.
- Si el cable de alimentación presenta algún daño, éste deberá ser reemplazado por el fabricante, un agente de servicio o persona calificada, con el fin de evitar un accidente.
- **ADVERTENCIA:** Previo a realizar la instalación del aparato, asegúrese de que el cable de alimentación no se encuentre enredado o dañado.
- **ADVERTENCIA:** No utilice enchufes portátiles o fuentes de alimentación portátiles en la parte posterior del aparato.
- **ADVERTENCIA:** Mantenga las rendijas de ventilación libres de obstrucciones. Estas rendijas se pueden encontrar en el gabinete o en la estructura del aparato.
- **ADVERTENCIA:** No utilice dispositivos mecánicos u otros medios ajenos al electrodoméstico para acelerar el proceso de descongelación, a menos que sean recomendados por el fabricante.
- **ADVERTENCIA:** No dañe el sistema refrigerante.
- **ADVERTENCIA:** No utilice aparatos eléctricos ajenos a la unidad dentro de los espacios de almacenamiento del producto, a menos de que sean recomendados por el fabricante.
- No almacene sustancias explosivas como latas de aerosol con propelente inflamable en este aparato.


- Este aparato está diseñado para uso doméstico y similares, como:
 - Áreas de cocina para personal de tiendas, oficinas y otros entornos de trabajo;
 - Casas de campo, y por clientes en hoteles, moteles y otros entornos de tipo residencial;
 - Espacios B&B (bed and breakfast) o similar;
 - Eventos privados y aplicaciones similares no minoristas;
- Enchufe el aparato en un tomacorriente de 3 clavijas con conexión a tierra. No quite o remueva la clavija de conexión a tierra, no utilice un adaptador para clavijas o un cable de extensión.
- Se recomienda utilizar un tomacorriente exclusivo para este aparato. No utilice placas que se puedan apagar por medio de un interruptor o cadena.
- No limpie los componentes, gabinetes o interiores del aparato con líquidos inflamables. Estos vapores podrían ser causantes de incendios o explosiones.
- Antes de comenzar con el proceso de limpieza y mantenimiento del aparato, asegúrese de que la unidad esté desconectada completamente de la toma de corriente.
- No conecte ni desconecte el enchufe de alimentación eléctrica con las manos mojadas.
- Asegúrese de desenchufar por completo el aparato de la corriente de energía antes de limpiar o reparar. Evite provocar una descarga eléctrica u otros casos desafortunados.
- No intente hacer reparaciones o reemplazos de ninguna pieza de su aparato, a menos de que se recomiende de manera específica en algún fragmento de este manual. Cualquier otro tipo de servicio necesario a realizar sobre el producto, deberá ser realizado por un técnico calificado.
- No almacenar, ni utilizar ningún tipo de líquido o vapor inflamable cerca de este o cualquier otro aparato, para evitar provocar incendio o explosión.

- La instalación o cualquier movimiento del electrodoméstico deberá realizarse entre dos o más personas. Evite causar lesiones de cualquier tipo.
- Para asegurar la ventilación adecuada de su aparato la parte frontal de la unidad deberá permanecer completamente despejada. Elija un área suficientemente ventilada con temperaturas superiores a 50 ° F (10 ° C) e inferiores a 100 ° F (38 ° C). Esta unidad deberá ser instalada en un área protegida de elementos como el viento, la lluvia, rocío de agua o goteos.
- El aparato no deberá ser instalado cerca de hornos, parrillas u otras fuentes de calor intenso.
- El aparato deberá cumplir con todos los códigos estatales y locales referentes a conexiones eléctricas al momento de ser instalado. Se requiere un suministro eléctrico estándar (115 V CA 60 Hz), debidamente conectado a tierra de acuerdo con el Código Eléctrico Nacional, los códigos y las normas locales.
- No retuerza, ni pellizque el cable de alimentación eléctrica del aparato.
- El tamaño del fusible (o breaker) deberá ser de 15 amperes o mayor.
- Es importante que el aparato esté nivelado para su correcto funcionamiento. Haga los ajustes necesarios para nivelarlo.
- A pesar de que la unidad haya sido examinada en la fábrica, asegúrese de limpiar el aparato antes de utilizarlo.
- No utilice agentes de limpieza a base de solventes o alcohol o abrasivos en el interior. Estos limpiadores podrían dañar o decolorar el interior del producto.
- No utilice este producto para fines que no sean residenciales.
- Este aparato no contiene CFC ni HFC y contiene pequeñas cantidades de isobutano (R600a), que es una sustancia

amigable con el medio ambiente pero inflamable. No daña la capa de ozono, ni contribuye al efecto invernadero. Se debe tener cuidado durante el transporte y la instalación del producto para que ninguna pieza del sistema de refrigeración resulte dañada. Las fugas de refrigerante pueden llegar a inflamarse y/o ocasionar daño a los ojos.

- En caso de cualquier daño:
 - Evite las llamas y cualquier cosa que pudiera crear chispas,
 - Desconecte completamente el aparato de la corriente eléctrica,
 - Ventile la habitación en la que se encuentra el aparato durante varios minutos; y Póngase en contacto con el área de servicio para ser asesorado.
- De acuerdo con el grado de refrigerante que contenga el aparato, deberán ser las dimensiones del espacio en el que se pretende instalar, a mayor cantidad de refrigerante, mayor deberá ser el espacio. En caso de fuga, si el aparato se encuentra en una habitación pequeña, existe el riesgo de que se acumulen gases combustibles. Por cada onza (3 mililitros) de refrigerante, se requieren al menos 325 pies cúbicos (9 metros cúbicos) de espacio en la habitación. La cantidad de refrigerante que contiene el aparato, se indica en la placa de datos en la parte de atrás del mismo. Será necesario que la persona que realice reparaciones o servicio al aparato, sea un técnico autorizado, evite riesgos.
- Tenga mucho cuidado al manipular, mover y/o usar el aparato para evitar daños al tubo de refrigeración y evitar el riesgo de fugas.
- Cualquier reemplazo o reparación de componentes y/o servicio, deberá ser realizado por técnicos autorizados, con la finalidad de minimizar el posible riesgo de incendio derivado de una colocación incorrecta de las piezas o la realización de un servicio de forma inadecuada.
- **ADVERTENCIA:** Existe el riesgo de que un niño quede atrapado dentro del aparato. Antes de desechar su

refrigerador o congelador asegúrese de realizar los siguientes pasos:


- Retire las puertas;
- Deje los estantes colocados en su lugar, para evitar el mal uso del aparato, especialmente por parte de menores. Asegúrese de que el sistema refrigerante, particularmente el intercambiador de calor en la parte trasera / inferior de la unidad no esté dañado.
-  El símbolo de reciclaje en el aparato o embalaje, indica que este producto no debe ser manipulado como un residuo doméstico normal y debe ser trasladado a un centro de reciclaje de productos eléctricos y electrónicos.
- El aparato deberá colocarse de manera que haya fácil acceso al enchufe después de instalado.

- LEA Y GUARDE ESTAS INSTRUCCIONES -

INSTRUCCIONES DE INSTALACIÓN

Previo a utilizar el producto

- Retire todo el embalaje interior y exterior.
- Antes de conectar el aparato a la corriente eléctrica, déjelo reposar en posición vertical durante aproximadamente 2 horas. Esto reducirá la posibilidad de un mal funcionamiento en el sistema de enfriamiento, posible resultado de la manipulación del aparato durante su transporte.
- Limpie la superficie interior con un paño suave y agua tibia.
- Instale la manija en el lado izquierdo de la puerta usando los tornillos que vienen incluidos en el empaque del producto.

 ¡Evite el uso de productos abrasivos y nunca use alcohol!

Instalación del aparato

- Este aparato está diseñado para su instalación independiente o empotrada.
- Coloque su aparato en una superficie que sea lo suficientemente fuerte como para poder soportarlo cuando esté completamente lleno. Para nivelar su aparato, ajuste las patas niveladoras que se encuentran en la parte delantera, inferior de la unidad.
- Coloque el aparato lejos de la luz solar directa y de posibles fuentes de calor (estufa, calentador, radiador, etc.). La luz solar directa puede afectar el revestimiento acrílico, y las fuentes de calor pueden repercutir en la unidad, aumentando el consumo eléctrico de la misma. Las temperaturas ambientales extremadamente frías también pueden afectar el correcto funcionamiento de la unidad.
- Evite colocar la unidad en áreas con niveles considerables humedad.
- Enchufe el aparato en un tomacorriente de pared debidamente instalado y con conexión a tierra. En ninguna circunstancia corte o retire la tercera clavija (tierra) del cable de alimentación. Cualquier duda que surja durante el proceso de instalación, relacionada con la alimentación y/o la conexión a tierra, contacte a un centro de servicio certificado y autorizado.

Este aparato fue diseñado para brindar al usuario la posibilidad de instalarlo en un espacio entre dos unidades externas.

El espacio mínimo requerido entre una y otra unidad es de:

23.62" de ancho x 24.61" de profundidad x 34.06" de alto

Para tener en cuenta: Al realizar la instalación del aparato, deberá existir un espacio de ventilación entre la parte superior de la unidad y la parte inferior de cualquier gabinete u objeto que se encuentre instalado encima del producto (1/4 ").

- Éste aparato deberá estar siempre enchufado a un tomacorriente de pared exclusivo para el producto y que cuente con un voltaje igual al mencionado en la etiqueta de información del aparato. Esto permite obtener un mejor rendimiento del aparato y evita la sobrecarga de los circuitos de cableado que podrían llegar a ser causa de un incendio. Nunca desenchufe el aparato tirando del cable de alimentación. Siempre tome el enchufe con firmeza y tire hacia afuera del tomacorriente de pared. Inmediatamente repare o reemplace todos los cables de alimentación que se hayan desgastado o que presenten algún daño. No utilice el cable si éste presenta grietas o daños por abrasión a lo largo del cable de alimentación o en cualquiera de sus extremos. En caso de mover el aparato, tenga cuidado de no dañar el cable de alimentación.

Instalación de la manija

Para instalar la manija, por favor siga las instrucciones a continuación:

- Retire con cuidado la junta (sello) de la puerta en el área donde se colocará la manija.
- Coloque la manija sobre los orificios para tornillos en el exterior de la puerta y fíjela con los tornillos que vienen incluidos con su producto. Asegúrese de apretar bien los tornillos.
- Presione la junta de la puerta nuevamente en su ranura.

Recorte y dimensiones del producto

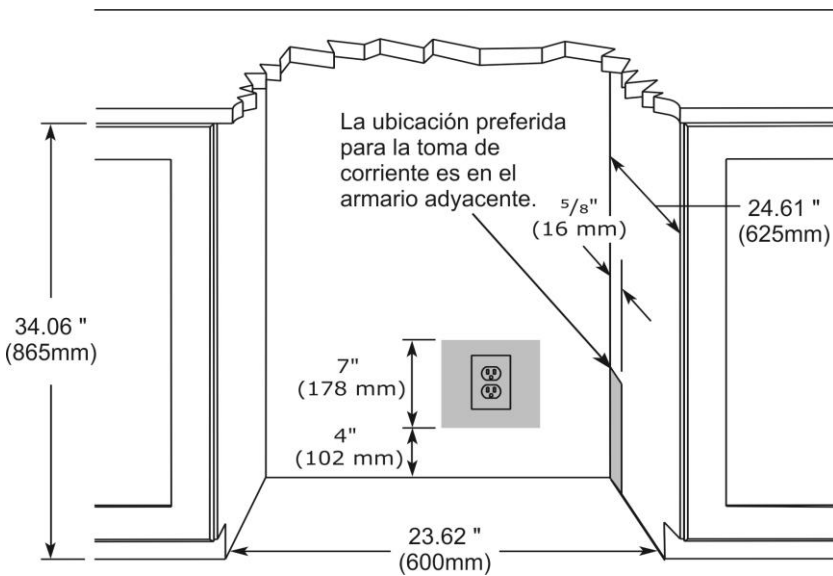
PREPARAR EL SITIO

Su producto ha sido diseñado para instalación independiente o empotrada. Cuando se instala empotrado, su unidad no requiere espacio de aire adicional en la parte superior, los laterales o la parte trasera. Sin embargo, la rejilla frontal NO debe estar obstruida, y se requiere espacio libre para una conexión eléctrica en la parte trasera.

⚠ PRECAUCIÓN

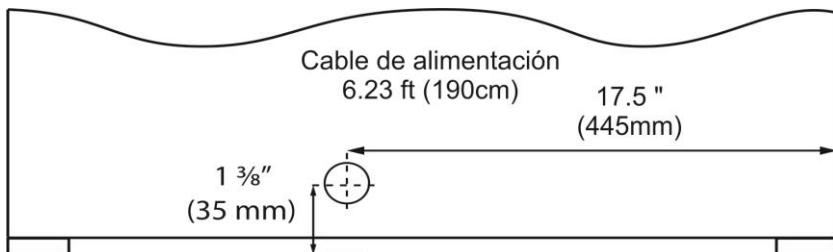
La unidad NO puede instalarse detrás de una puerta de armario cerrada.

DIMENSIONES DE CORTE

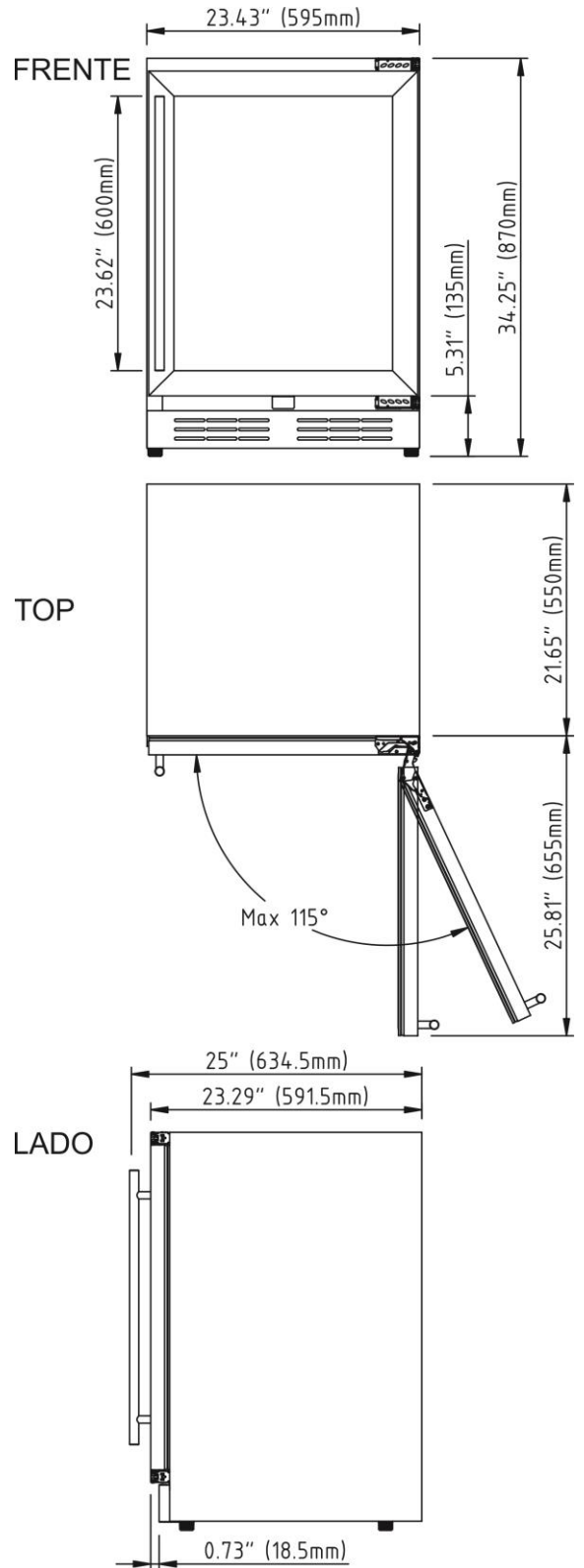


DIMENSIONES DEL PRODUCTO

TRASERO

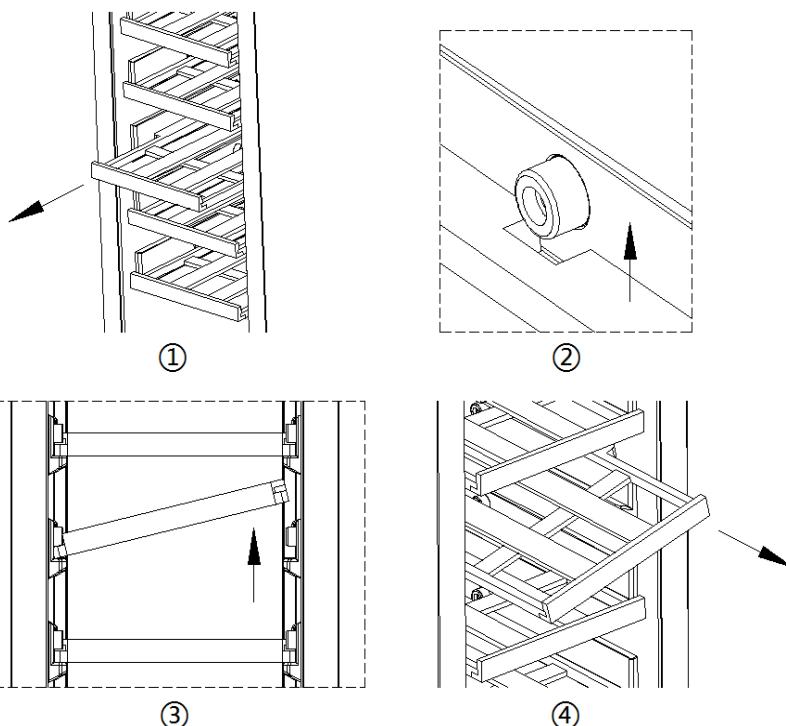


*Añadir 1/2" para modelos integrados con panel de 3/4" instalado.



Para retirar los estantes

1. Asegúrese de que los estantes estén completamente vacíos.
2. Previamente a retirar los estantes, mantenga la puerta completamente abierta.
3. Deslice el estante horizontalmente hacia afuera (imagen ①) hasta que las clavijas plásticas en cada lado del estante se encuentren alineados con las ranuras en el interior del gabinete (imagen ②). Incline hacia arriba el estante desde un lado (imagen③), y luego saque el estante con firmeza (imagen④).



Cambiar el Lado de Apertura de la Puerta

La puerta en este aparato se puede abrir por el lado izquierdo o derecho. La unidad se le entrega con la apertura de la puerta por el lado izquierdo. Si desea invertir la dirección de apertura, por favor, siga las instrucciones a continuación.

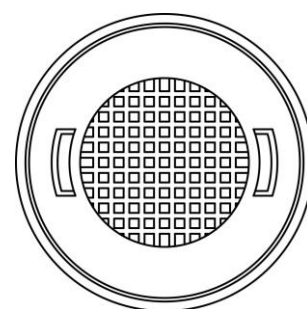
En una bolsa de plástico dentro del aparato encontrará dos piezas de hardware: la bisagra de la puerta superior izquierda y el núcleo de la bisagra de la puerta inferior izquierda.

1. Abra la puerta.
 2. Con un destornillador Philips, retire los tornillos de las esquinas superior e inferior izquierda de la unidad.
 3. Con un destornillador Philips, retire los dos tornillos de las bisagras superior e inferior.
- ADVERTENCIA: Para evitar que la puerta se caiga, una persona debe sujetarla antes de que una segunda persona afloje los tornillos.
4. Gire la puerta 180°, alinee la bisagra sobre el orificio del tornillo y deslícela hasta su posición. Apriete los tornillos en la parte superior e inferior.
 5. Retire la placa del interruptor de la parte superior de la puerta y vuelva a instalarla en el orificio de montaje central en la parte inferior de la puerta.
 6. Vuelva a instalar los tornillos que quitó anteriormente en las esquinas superior e inferior derecha de la unidad.

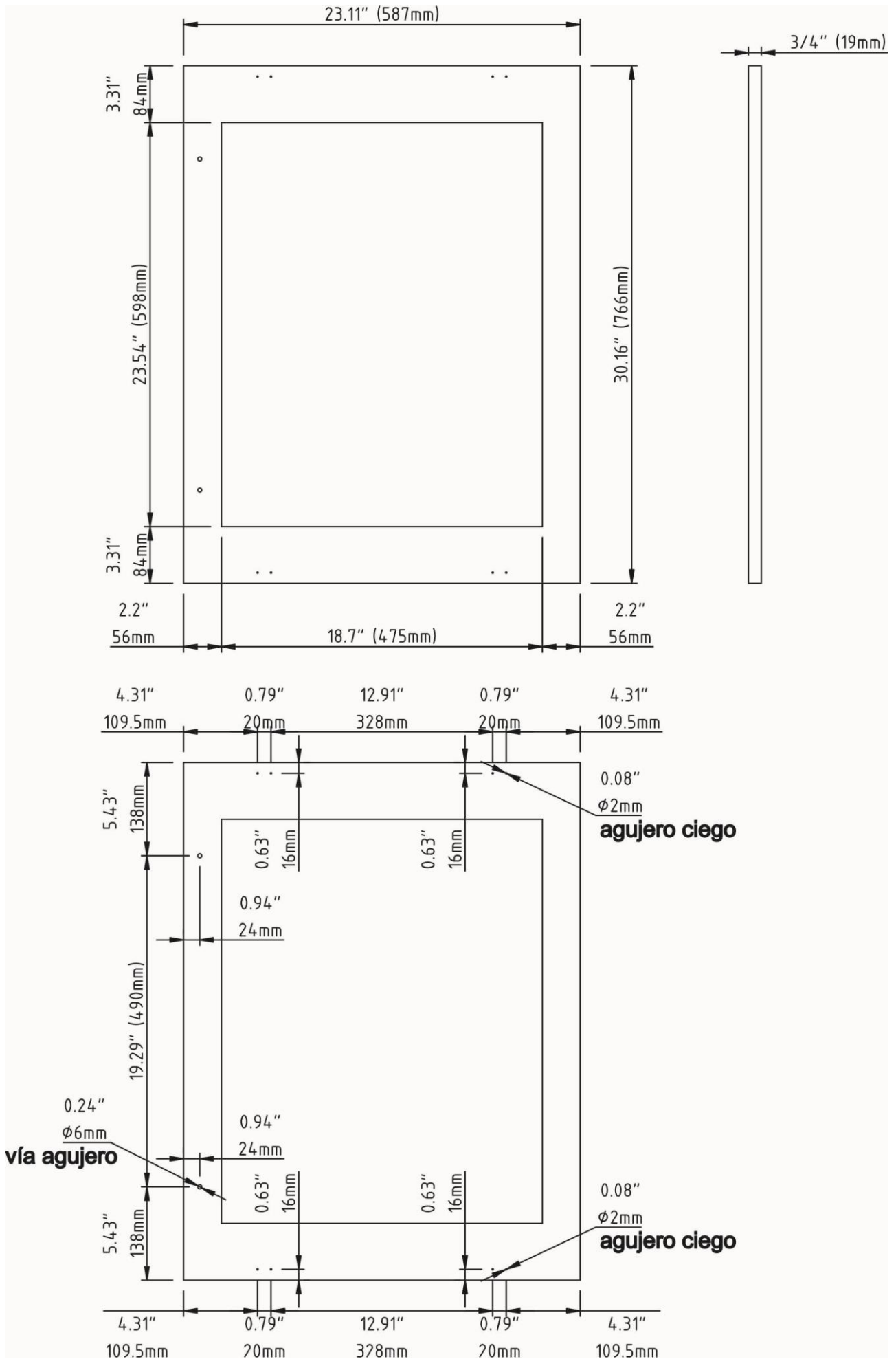
Filtro de Carbón

Este aparato incluye un filtro de carbón que protege sus vinos el cual actúa como una barrera natural contra los olores nocivos. El filtro de carbón debe ser reemplazado cada 9-12 meses, dependiendo del nivel de exposición de la unidad al olor. Si la unidad se encuentra colocada dentro de una cocina, lo ideal es reemplazarla cada tres meses.

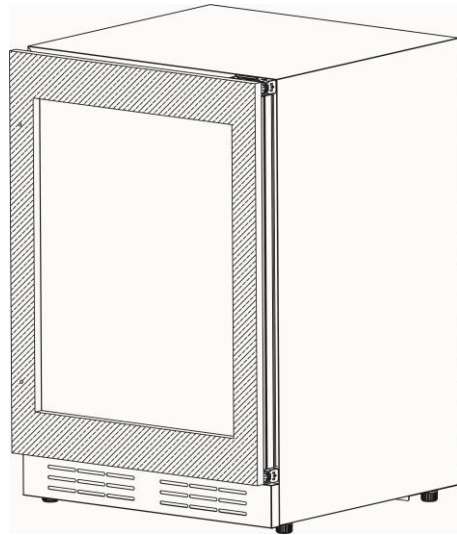
Para retirar el filtro de carbón, gírelo en sentido contrario a las manecillas del reloj y retírelo del panel trasero.



Instalación de paneles



Dimensión del panel superpuesto:	
Ancho del panel de la puerta	23.11"
Altura del panel de la puerta	30.16"
Profundidad del panel de la puerta	3/4" max
Peso del panel de la puerta	10 lb. max
Anchura del área visible	18.7"
Altura del área visible	23.54"



Herramientas necesarias:

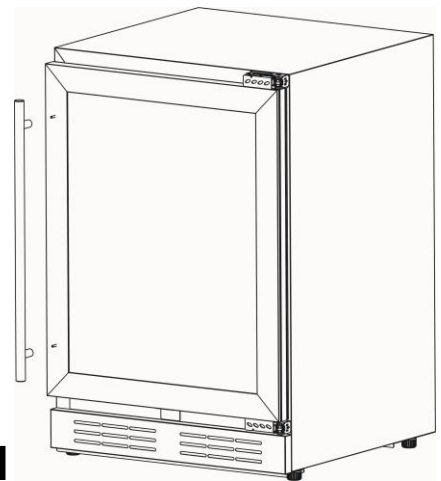
- Destornillador Phillips

NOTA: La longitud de los tornillos de montaje del panel superpuesto debe ser de 3/4" más el grosor del panel, menos 1/4". ($3/4" + \text{grosor del panel superpuesto} - 1/4" = \text{longitud del tornillo}$). Los tipos y longitudes de los tornillos pueden variar en función del material utilizado.

Consulte las páginas 26 para conocer las dimensiones del panel superpuesto antes de instalarlo.

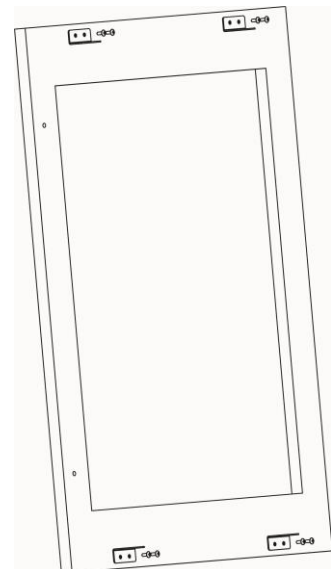
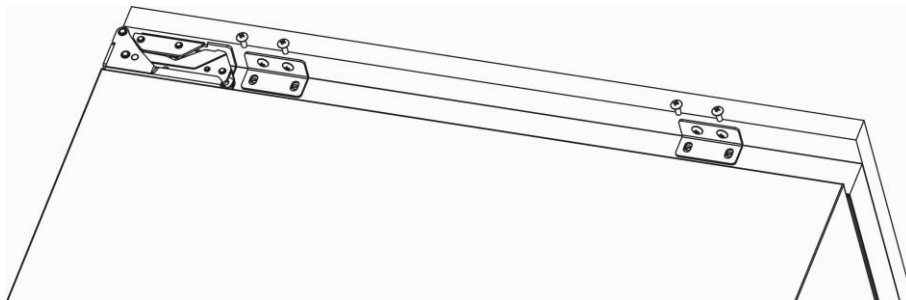
NOTA: NO INSTALE UN PANEL SÓLIDO EN UNA PUERTA DE CRISTAL. ESTO PUEDE HACER QUE SE FORME HUMEDAD DETRÁS DEL PANEL, LO QUE PROVOCARÍA DAÑOS.

1. Utilice el destornillador Phillips para quitar el tornillo del mango y sacar el mango. Guarde la manija y los tornillos para reinstalarlos más tarde.
2. Coloque el panel superpuesto sobre una superficie plana, dura y segura, ubique los cuatro soportes del panel en la bolsa de accesorios y fije los cuatro soportes de acuerdo con los orificios de montaje del panel.
3. Alinee el panel ensamblado con los orificios de montaje en la parte superior e inferior del cuerpo de la puerta y apriete los tornillos para asegurarlo.



1

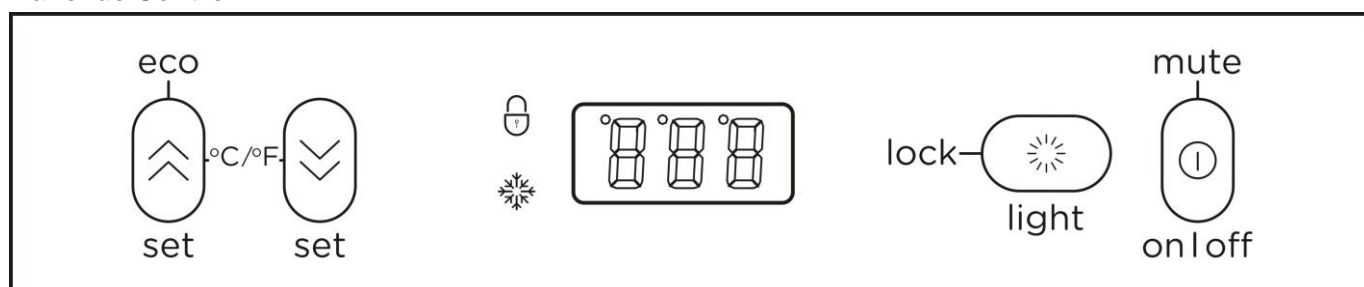
3



2

OPERANDO SU PRODUCTO

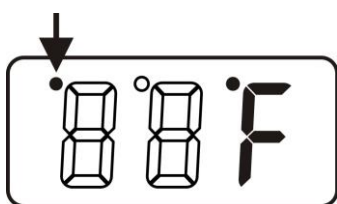
- Temperaturas recomendadas para enfriar Vinos:
Vino Tinto: 59 ~ 64.4°F (15 ~ 18°C)
Vino Blanco / Seco: 48.2 ~ 57.2°F (9 ~ 14°C)
Vino Espumoso: 41 ~ 46.4°F (5 ~ 8°C)
- El aparato deberá estar ubicado en un lugar donde la temperatura ambiente se encuentra entre 50~100°F (10~38°C). Si la temperatura ambiente es menor o mayor a este rango, el rendimiento del producto podría verse afectado. Exponer el aparato a condiciones de temperatura extrema, ya sea frío o calor, puede causar que la temperatura interior fluctúe.
- Conecte el cable de alimentación a un tomacorriente aterrizado correctamente.
- Este aparato está equipado con Memoria CI – en caso de una interrupción inesperada de energía eléctrica el aparato se recuperará automáticamente en la última configuración establecida.
- **Panel de Control:**







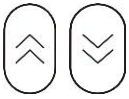
Modo de Control Inteligente

- Cuando la puerta se encuentre abierta, la luz interior se encenderá automáticamente y el ventilador interior dejará de funcionar.
- Cuando la puerta se encuentre cerrada, la luz interior se apagará automáticamente.
- Alarma de puerta: cuando la puerta se encuentre abierta por más de 5 minutos, el aparato emitirá un sonido de alarma, el compresor y el ventilador exterior dejarán de funcionar.







Forzar Salida del Modo de Control Inteligente



- Para desactivar el modo de control inteligente mantenga presionados los botones  y  simultáneamente durante 5 segundos y el pequeño punto en la esquina superior izquierda de la pantalla LED ubicada en el panel de control se iluminará.
- Cuando el modo de control inteligente se encuentre desactivado, en caso de que la puerta se encuentre abierta durante más de 5 minutos la alarma no sonará.
Para tener en cuenta: La luz interior solamente se encenderá o apagará al presionar el botón.
- Para volver a activar el modo de control inteligente mantenga presionados los botones  y  simultáneamente durante 5 segundos.

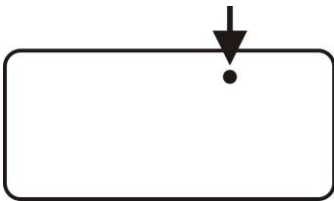




Configuración del control de temperatura

- Temperatura ajustable: 34°F a 65°F (1°C a 18°C)
- Configure la temperatura deseada presionando los botones correspondientes,  para aumentar o  para disminuir la temperatura. Cada vez que se presiona el botón se realiza un incremento o disminución de 1 grado. Una vez que deje de presionar el botón, la temperatura establecida parpadeará durante aproximadamente 5 segundos y luego volverá a mostrar la temperatura interna.
- Para ver la temperatura seleccionada, presione los botones  o  una vez y la pantalla LED, reflejará la temperatura seleccionada durante 5 segundos.
- El aparato tiene la capacidad de mostrar la temperatura en grados Celsius o Fahrenheit. Para cambiar la escala de temperatura, mantenga presionados ambos   botones simultáneamente durante aprox. 3 segundos.

Nota: La temperatura interior puede variar ligeramente dependiendo de, si el foco interior se encuentra encendido o apagado, o del lugar en el cual se encuentran ubicadas las botellas (parte superior, media o inferior).


Modo ECO:




- Para entrar o salir del modo mantenga presionado los botones  durante 3 segundos
- En el modo ECO, la luz LED interior, el indicador del compresor  y la temperatura en el panel de visualización se apagará y solo quedará iluminado el símbolo de grados (°F/°C) en la esquina superior izquierda.

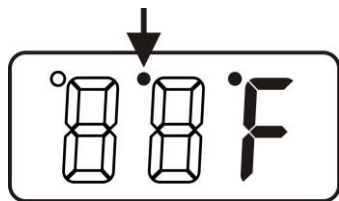



Luz/ Bloquear

- Modo de brillo de la lámpara LED: con la Memoria CI (cuando la unidad se reinicia después de un corte de energía, ésta se recuperará automáticamente en la última configuración establecida), el brillo predeterminado de fábrica es 100%.
- Cada vez que el botón  se presiona, el brillo del LED avanzará un nivel, en un ciclo de cuatro niveles de brillo. (100%, 75%, 50%, APAGADO)
- Para bloquear o desbloquear el panel de control mantenga pulsado durante 3 segundos

Modo de luz ambiental


Presione el botón  el brillo de la luz en 100%, 75%, 50%, el pequeño punto en el centro del panel de visualización se iluminará y la luz interior pasará automáticamente al modo de luz ambiental: la luz interior se encenderá (ya sea que la puerta se encuentre abierta o cerrada, las luces interiores estarán siempre encendidas)



Salir del modo de luz ambiental: presione el botón  para configurar el brillo de la luz en APAGADO, el pequeño punto en el centro de la pantalla se apagará, la luz interior saldrá del modo de luz ambiental y volverá a ingresar al modo de control inteligente.



Encendido / Apagado / Silencio

- To turn the appliance on or off, press and hold the ON/OFF button for 3 seconds.
- Cuando se activa la alarma de puerta abierta, el aparato sonará continuamente. Presione  una sola vez y la alarma dejará de sonar. Para obtener asesoramiento póngase en contacto con el Departamento de servicio.



BLOQUEAR




- Si se encuentra iluminado este icono, entonces el panel de control está bloqueado.



FUNCIONANDO

Cuando el compresor de la unidad está funcionando, este símbolo se verá iluminado para indicar que el modo de enfriamiento está trabajando

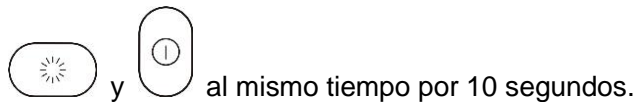
Modo de demostración (DEMO)

- Para entrar o salir del modo de demostración mantenga presionados los botones ,  y  simultáneamente por 10 segundos.
- En este modo, se podrán realizar cambios en la configuración en el panel de visualización, pero la temperatura mostrada no se moverá, y permanecerá fija en 54 ° F (12 ° C), los ventiladores no funcionarán y el compresor no arrancará.

Descongelado




- La unidad descongela la escarcha automáticamente cuando el aparato se encuentra funcionando con normalidad.
- El evaporador detrás de la pared trasera de la unidad se activa automáticamente. El agua será drenada a través del tubo de drenaje, ubicado en la parte posterior de la unidad. (En caso de decidir instalar un aparato para recolectar el agua, considere que deberá limpiarlo con frecuencia).
- Si la unidad se abre repetidamente en un espacio expuesto a temperaturas de mucho calor o mucha humedad, existe el riesgo de que se acumule escarcha en el evaporador. Si este patrón de escarcha no desaparece en un lapso de 24 horas, la unidad requerirá un proceso de descongelación manual.

Modo de descongelamiento manual: Para entrar en el modo de descongelamiento manual presione los botones



Sabbath mode



- 
- Para activar o desactivar el Modo Sabbath mantenga presionados los botones  y  al mismo tiempo durante al menos 5 segundos. Cuando el modo Sabbath, se encuentre activado, el LED mostrará "Sb".
 - Cuando esta función es activada, se apagarán las pantallas, la luz interior, evitando que se vuelvan a encender. El sistema de refrigeración continuará funcionando de manera regular, así como el compresor y ventilador.
 - Cuando exista una interrupción en la energía eléctrica, el aparato mantendrá el Modo Sabbath cuando se encienda de nuevo. El Modo Sabbath se apagará automáticamente después de 96 horas.

Función de Alarma de Temperatura

Si la temperatura ambiente llega a ser menor a 86°F (30 ° C) por un periodo superior a dos horas, se activará la alarma de alta temperatura, el LED mostrará la señal "HH", y la alarma comenzará a sonar de forma continua, el sistema de enfriamiento seguirá funcionando con normalidad. Una vez que se haya estabilizado la temperatura, la pantalla volverá a la normalidad.

Si la temperatura ambiente llega a ser menor a 32 ° F (0 ° C) por un periodo superior a una hora, se activará la alarma de baja temperatura, el LED mostrará la señal "LL", la alarma comenzará a sonar de forma continua, el sistema de enfriamiento dejará de funcionar. Una vez que se haya estabilizado la temperatura, la pantalla volverá a la normalidad.

NOTA:

- Es normal que el gabinete muestre la señal "HH" o "LL" esporádicamente. Si la señal comienza a aparecer con demasiada frecuencia o permanece un tiempo muy prolongado, puede reiniciar la unidad desenchufándola completamente de la corriente eléctrica y volviéndola a enchufar después de transcurridos 5 minutos. Si el problema se repite después de haber reiniciado el aparato contacte al centro de servicio al cliente.
- Antes de volver a enchufar el aparato déjelo reposar de 3 a 5 minutos. Sí no lo hace, corre el riesgo de dañar la unidad. Si intenta encender el aparato antes de que finalice el tiempo de espera indicado, el aparato no se encenderá.
- Si enciende el aparato por primera vez, después de un reinicio, o después de que ha estado fuera de funcionamiento durante mucho tiempo, existe la posibilidad de una variación de temperatura dentro del aparato, con la reflejada en la pantalla LED. Este es un efecto normal, derivado del tiempo prolongado que la unidad estuvo inactiva. Deje el aparato funcionando en encendido durante varias horas para que las temperaturas vuelvan a estabilizarse.

CUIDADO Y MANTENIMIENTO

Limpieza del aparato

1. Antes de comenzar con la limpieza o mantenimiento del aparato, apáguelo y asegúrese de desenchufarlo completamente de la corriente eléctrica, posteriormente, vacía el contenido de la unidad.
2. Lave las superficies internas con agua tibia y una solución de bicarbonato de sodio. La solución debe consistir de aproximadamente 2 cucharadas de bicarbonato de sodio, disueltas en un litro de agua.
3. Cuando limpie el área de los controles o cualquier parte eléctrica, exprima el exceso de agua de la esponja o paño.
4. Lave el exterior del aparato con una solución tibia de detergente líquido suave. Enjuague bien y seque con un paño limpio y suave.

Fallo en el suministro de energía eléctrica

En caso de enfrentar fallas en el suministro de energía eléctrica por periodos prolongados, considere tomar las medidas adecuadas para proteger el contenido dentro de la unidad.

Transporte de su aparato

En caso de necesitar trasladar la unidad después de haber desechado la caja:

1. Pegue con cinta adhesiva todos los elementos sueltos dentro del aparato.
2. Gire las patas ajustables hasta la base para evitar daños.
3. Asegúrese de que el aparato permanezca seguro en posición vertical durante el transporte.
También proteja el exterior del aparato cubriéndolo con una manta o artículo similar.

Consejo para ahorrar energía

El aparato deberá ser instalado en la zona más fresca de la habitación, lejos de aparatos que produzcan calor y fuera del alcance de luz solar directa.

PROBLEMAS CON SU PRODUCTO

Para lograr la resolución de posibles contratiempos en el correcto funcionamiento de la unidad, considere las sugerencias que se presentan a continuación, en caso de tratarse de un problema más complejo, contacte directamente a un técnico autorizado.

GUÍA PARA SOLUCIÓN DE PROBLEMAS

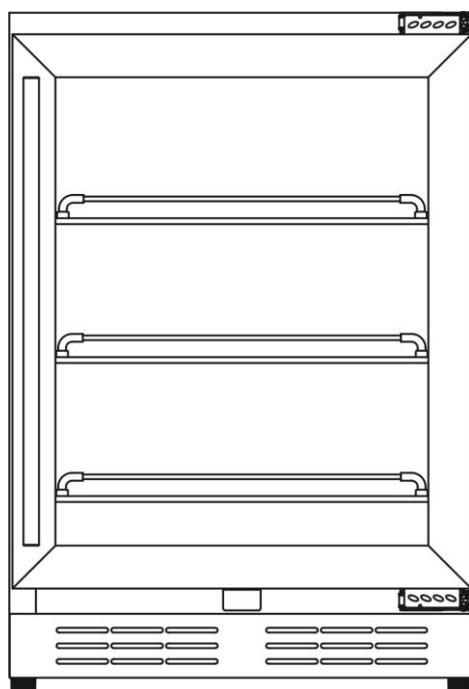
PROBLEMA	POSIBLE CAUSA	SOLUCIÓN
El aparato no funciona	<ul style="list-style-type: none"> • La unidad se descongela automáticamente en condiciones normales de funcionamiento. • El aparato está apagado. • Breaker en posición de apagado o fusible quemado. 	<ul style="list-style-type: none"> • Conecte el aparato. • Encienda el aparato • Ponga el breaker en posición de encendido o reemplace el fusible
El aparato no enfría lo suficiente.	<ul style="list-style-type: none"> • La temperatura no ha sido configurada correctamente. • Debido a la temperatura ambiente puede requerir un ajuste de temperatura más bajo. • El condensador está sucio. • La abertura de ventilación está bloqueada o tiene demasiado polvo. 	<ul style="list-style-type: none"> • Verifique la temperatura establecida. • Fije un nivel de temperatura más bajo. • Limpie el condensador cuando sea necesario. • Elimine las obstrucciones y limpie el polvo.
El aparato se enciende y apaga sólo	<ul style="list-style-type: none"> • La temperatura ambiente es superior a la media • Se han almacenado una gran cantidad de botellas dentro de la unidad. 	<ul style="list-style-type: none"> • Reubique el aparato a un lugar más fresco. • Permita que el aparato funcione durante un tiempo, hasta que se alcance la temperatura programada.
La luz no funciona.	<ul style="list-style-type: none"> • El aparato no está conectado a una fuente de alimentación. • Breaker en posición de apagado o fusible quemado. • La luz se apagó en el panel de control. 	<ul style="list-style-type: none"> • Conecte el aparato. • Encienda el breaker o cambie el fusible. • Encienda la luz.
Vibraciones	<ul style="list-style-type: none"> • El aparato no ha sido nivelado correctamente. 	<ul style="list-style-type: none"> • Nivele el aparato con las patas regulables ubicadas en la parte frontal inferior del mismo.
El aparato parece hacer demasiado ruido.	El ruido de traqueteo puede provenir del flujo de refrigerante, lo cual es normal. A medida que finaliza cada ciclo, es posible que se emitan sonidos causados por el flujo de refrigerante en su aparato. Si ocurren fluctuaciones de temperatura, la contracción y expansión de las paredes internas podrían ser causantes de ruidos también.	
	<ul style="list-style-type: none"> • El aparato no está correctamente nivelado. 	<ul style="list-style-type: none"> • Nivele el aparato con las patas regulables ubicadas en la parte frontal inferior del mismo.
Muestra "E1", "E2".	<ul style="list-style-type: none"> • "E1" o "E2" indica que el sensor de temperatura del aire presenta un fallo. 	<ul style="list-style-type: none"> • Contacte directamente con su centro de servicio.

NOTA: Este aparato ha sido diseñado exclusivamente para el almacenamiento de bebidas y exhibición de vinos en entornos domésticos. Para uso residencial y espacios no comerciales únicamente.



Manuel d'utilisation

Modèle : EBS51PR1



AVANT TOUTE UTILISATION, VEUILLEZ LIRE ET SUIVRE TOUTES LES RÈGLES DE SÉCURITÉ ET LES INSTRUCTIONS D'UTILISATION. CONSERVEZ CE MANUEL DANS UN ENDROIT SÛR.

IMPORTANTES CONSIGNES DE SÉCURITÉ

- Lisez toutes les instructions avant d'utiliser l'appareil.
- Cet appareil peut être utilisé par des enfants âgés de 8 ans et plus, par des personnes ayant des capacités physiques, sensorielles ou mentales réduites, ou encore par des personnes manquant d'expérience et de connaissances, à la condition que ces personnes aient été supervisées ou aient reçu des instructions concernant l'utilisation sécuritaire de l'appareil, et soient en mesure de comprendre les risques encourus. Les enfants ne doivent pas jouer avec l'appareil. Le nettoyage et l'entretien de l'appareil ne doivent pas être effectués par des enfants sans surveillance.
- Si le cordon d'alimentation est endommagé, il doit uniquement être remplacé par le fabricant, son agent de service ou toute autre personne qualifiée, afin d'éviter tout risque.
- **AVERTISSEMENT** : lors de la mise en place de l'appareil, assurez-vous que le cordon d'alimentation ne soit pas coincé ou endommagé.
- **AVERTISSEMENT** : ne placez pas de modules enfichables à prises multiples ou de blocs d'alimentation portables à l'arrière de l'appareil.
- **AVERTISSEMENT** : assurez-vous que les ouvertures de ventilation, présentes sur l'appareil ou dans sa structure, sont libres de toute obstruction.
- **AVERTISSEMENT** : n'utilisez pas d'appareils mécaniques ou d'autres moyens pour accélérer le processus de dégivrage, sauf ceux recommandés par le fabricant.
- **AVERTISSEMENT** : n'endommagez pas le circuit de réfrigération.
- **AVERTISSEMENT** : n'utilisez pas d'appareils électriques à l'intérieur des compartiments de conservation des aliments de l'appareil, sauf s'ils sont d'un type recommandé par le fabricant.
- N'entreposez pas dans cet appareil des substances


explosives telles que des bombes aérosols dont le jet est inflammable.

- Cet appareil est destiné à des applications domestiques ou de même type, telles que :
 - les cuisines destinées au personnel dans les magasins, les bureaux et autres environnements de travail,
 - les maisons de ferme et l'utilisation par les clients dans les hôtels, les motels et autres environnements de type résidentiel,
 - les environnements de type chambre d'hôte ou demi-pension,
 - les services de traiteur et les utilisations similaires, non liées à la vente au détail.
- Branchez dans une prise de courant à 3 broches avec mise à la terre. Ne retirez pas la broche de mise à la terre, n'utilisez pas d'adaptateur ou de rallonge.
- Il est recommandé de prévoir un circuit dédié, ne desservant que votre appareil. Utilisez une prise ne pouvant pas être éteinte par un interrupteur.
- Ne nettoyez jamais les pièces de l'appareil avec des liquides inflammables. Leurs vapeurs peuvent créer un risque d'incendie ou d'explosion.
- Assurez-vous de débrancher l'alimentation électrique de l'appareil avant de procéder aux opérations de nettoyage et d'entretien.
- Ne branchez ou ne débranchez pas la fiche électrique lorsque vous avez les mains mouillées.
- Débranchez l'appareil ou interrompez le courant avant de procéder au nettoyage ou à l'entretien. Le non-respect de cette consigne peut entraîner un choc électrique et un risque mortel.
- N'essayez pas de réparer ou de remplacer une pièce de votre appareil, sauf si cela est spécifiquement recommandé dans le présent manuel. Toute autre réparation doit être confiée à un technicien qualifié.
- N'entreposez pas et n'utilisez pas d'essence ou d'autres

gaz ou liquides inflammables à proximité de cet appareil ou de tout autre appareil du même type. Les vapeurs émises peuvent créer un risque d'incendie ou d'explosion.

- Faites appel à deux personnes ou plus pour déplacer ou installer le réfrigérateur. Le non-respect de cette recommandation peut entraîner des blessures au dos ou d'autres types de blessures.
- Pour assurer la bonne ventilation de votre appareil, sa façade doit être complètement dégagée. Choisissez un endroit bien ventilé où la température est supérieure à 10 °C (50 °F) et inférieure à 38 °C (100 °F). L'appareil doit être installé dans un endroit protégé des éléments comme le vent, la pluie, les jets ou les écoulements d'eau.
- L'appareil ne doit pas être placé à proximité de fours, de grils ou d'autres sources de chaleur élevée.
- L'appareil doit être installé de façon à ce que toutes les connexions électriques soient conformes aux codes locaux et nationaux. Une alimentation électrique standard (115V AC 60 Hz) – correctement mise à la terre, conforme au Code canadien de l'électricité (CCE) et aux codes et réglementations locaux – est exigée.
- N'emmêlez pas et n'écrasez pas le cordon d'alimentation de l'appareil.
- Le fusible (ou le disjoncteur) doit être de 10 ampères ou plus.
- Il est important que l'appareil soit installé au niveau pour pouvoir fonctionner correctement. Pour ce faire, il sera peut-être nécessaire de procéder à plusieurs réglages.
- Bien que l'appareil ait été vérifié à l'usine, son nettoyage avant l'utilisation sera nécessaire en raison du transport et de l'entreposage.
- N'utilisez pas de produits de nettoyage à base de solvants ou d'abrasifs à l'intérieur de l'appareil. Ces nettoyeurs peuvent endommager ou décolorer le fini intérieur.

- N'utilisez pas cet appareil à des fins autres que résidentielles.
- Exempt de CFC ou de HFC, cet appareil contient de petites quantités d'isobutane (R600a), un gaz à faible impact environnemental qui est toutefois inflammable. Il n'endommage pas la couche d'ozone et ne contribue pas à augmenter l'effet de serre. Lors du transport et de la mise en place de l'appareil, des précautions doivent être prises afin de s'assurer qu'aucune pièce du système de refroidissement ne soit endommagée. Les fuites de liquide de refroidissement sont susceptibles de s'enflammer et peuvent endommager les yeux.
- En cas de dommage :
 - évitez les flammes nues et tout ce qui peut créer une étincelle,
 - déconnectez l'appareil de l'alimentation électrique,
 - aérez la pièce dans laquelle se trouve l'appareil pendant plusieurs minutes, puis,
 - contactez notre soutien technique pour obtenir des conseils.
- Plus il y a de liquide de refroidissement dans un appareil, plus la pièce où il est installé doit être de grande dimension. Des risques liés à l'accumulation de gaz combustibles peuvent survenir lors d'une fuite provenant d'un appareil se trouvant dans une trop petite pièce. Pour chaque 30 mL (1 once) de liquide de refroidissement, il faut miser sur une équivalence d'au moins 9 mètres cubes (325 pi²) d'espace dans la pièce. La quantité de liquide de refroidissement est indiquée sur la plaque signalétique située au dos de l'appareil. Il est dangereux pour toute personne autre qu'un technicien qualifié d'effectuer l'entretien ou les réparations sur cet appareil.
- Soyez très vigilants, lorsque vous manipulez, déplacez ou utilisez l'appareil, afin d'éviter d'endommager les tuyaux de réfrigérant ou d'augmenter le risque de fuite.

- Le remplacement des composants et l'entretien général de l'appareil doivent être effectués par du personnel de service autorisé par le fabricant, ceci afin de minimiser le risque d'inflammation lié à des pièces incorrectes ou à un mauvais entretien.
- Lorsque vous vous débarrassez de l'appareil, enlevez la porte et laissez les étagères en place afin que les enfants ne puissent pas entrer facilement à l'intérieur. Assurez-vous aussi que le circuit de refroidissement, en particulier l'échangeur de chaleur, situé à l'arrière au bas de l'appareil, n'est pas endommagé.
-  • Le symbole de recyclage figurant sur le produit ou sur son emballage indique que celui-ci ne doit pas être traité comme un déchet ménager usuel et qu'il doit être apporté à un point de collecte pour le recyclage des produits électriques et électroniques.
- L'appareil doit être positionné de façon à ce que la prise d'alimentation soit accessible après l'installation.

- CONSERVEZ CES INSTRUCTIONS -

INSTRUCTIONS POUR L'INSTALLATION

Avant d'utiliser votre appareil

- Retirez l'emballage extérieur et intérieur.
- Avant de brancher l'appareil à la source d'alimentation, laissez-le reposer en position verticale durant environ 2 heures. Cela réduira la possibilité d'un dysfonctionnement du système de refroidissement dû à la manipulation pendant le transport.
- Nettoyez la surface intérieure à l'eau tiède avec un chiffon doux.
- Installez la poignée sur le côté gauche de la porte à l'aide des vis fournies.

Installation de votre appareil

- Cet appareil est conçu pour être installé de manière autonome ou encastrée (encastrement plein ou partiel).
- Placez votre appareil sur une surface assez solide pour le supporter lorsqu'il est entièrement chargé. Pour mettre votre appareil au niveau, ajustez les pieds de nivellement situés en bas à l'avant.
- Placez l'appareil à l'abri de la lumière directe du soleil et des sources de chaleur (poêle, chaufferette, radiateur, etc.). La lumière directe du soleil peut affecter le revêtement acrylique et les sources de chaleur peuvent causer une augmentation de la consommation électrique. Des températures ambiantes extrêmement froides peuvent également entraîner un mauvais fonctionnement de l'appareil.
- Évitez d'installer l'appareil dans des endroits humides.
- Branchez l'appareil sur une prise murale dédiée, correctement installée et mise à la terre. Ne coupez ou ne retirez en aucun cas la troisième broche (prise de terre) du cordon d'alimentation. Toute question concernant l'alimentation et/ou la mise à la terre doit être adressée à un centre de service de produits certifié et autorisé.
- Cet appareil est destiné à être installé dans un espace délimité.
L'espace minimum requis est de :
600 mm de largeur x 625 mm de profondeur x 865 mm de hauteur
- Remarque : lorsque le produit est installé, un petit espace de ventilation doit être conservé entre le haut de l'appareil et la paroi située au-dessus (6 mm ou 1/4").

Installation de la poignée

Pour installer la poignée, veuillez suivre les instructions ci-dessous :

- Retirez avec précaution le joint d'étanchéité de la porte dans la zone où la poignée sera fixée.
- Placez la poignée sur les trous de vis situés à l'extérieur de la porte et fixez-la en serrant les vis fournies.
- Remplacez le joint d'étanchéité dans sa rainure.

Dimensions de la découpe et du produit

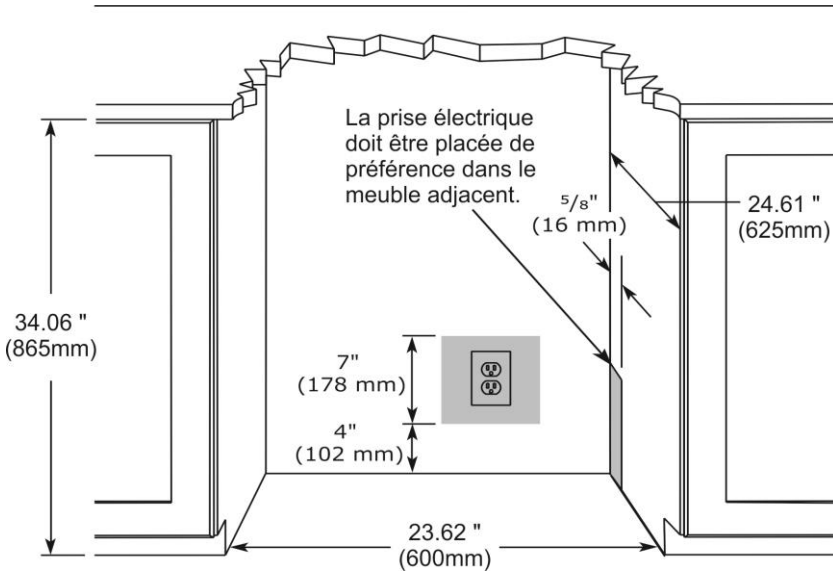
PRÉPARATION DU SITE

Votre produit a été conçu pour une installation autonome ou encastrée. Lorsqu'il est encastré, votre appareil n'a pas besoin d'espace d'air supplémentaire sur le dessus, les côtés ou l'arrière. Toutefois, la grille avant ne doit PAS être obstruée et un espace est nécessaire pour le raccordement électrique à l'arrière.

⚠ ATTENTION

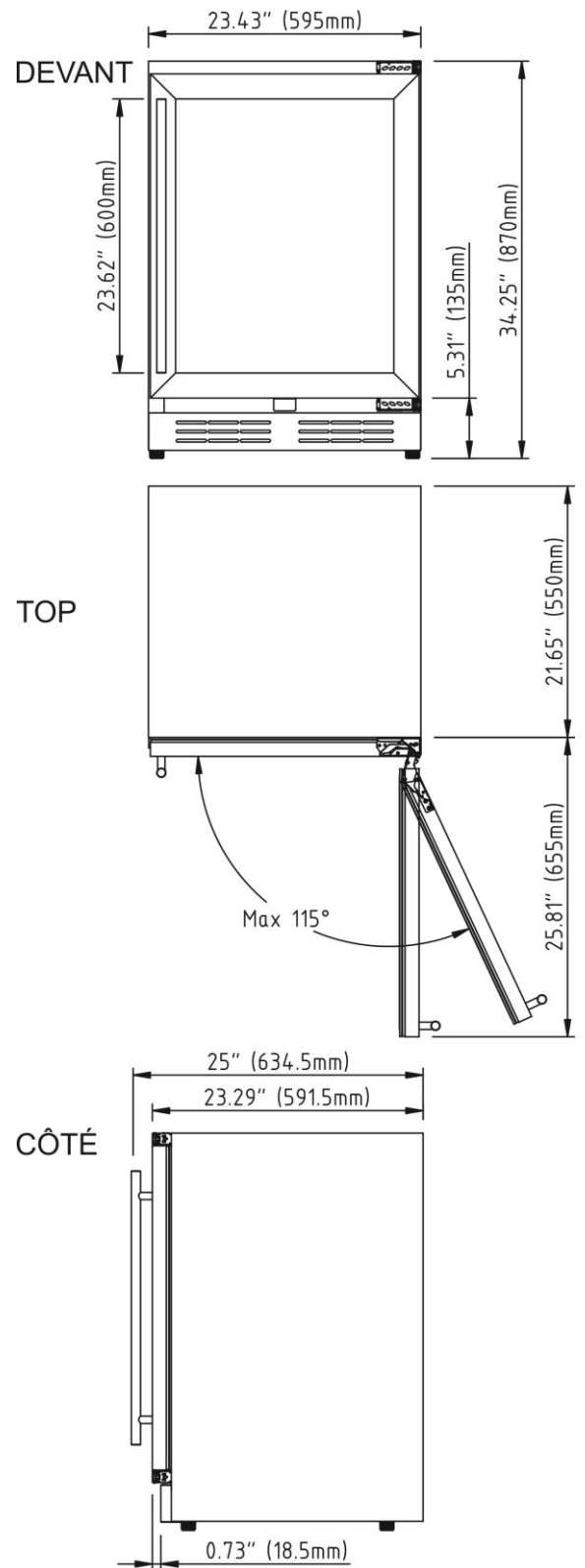
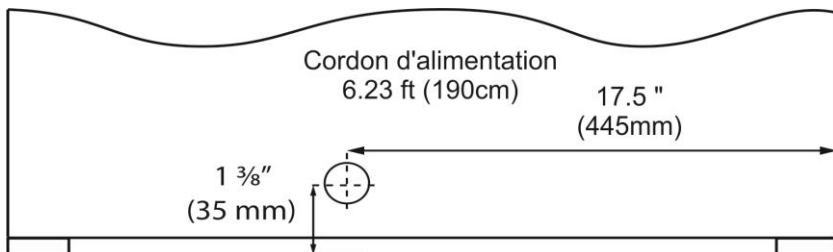
L'appareil ne peut PAS être installé derrière une porte d'armoire fermée.

DIMENSIONS DE LA DÉCOUPE



DIMENSIONS DU PRODUIT

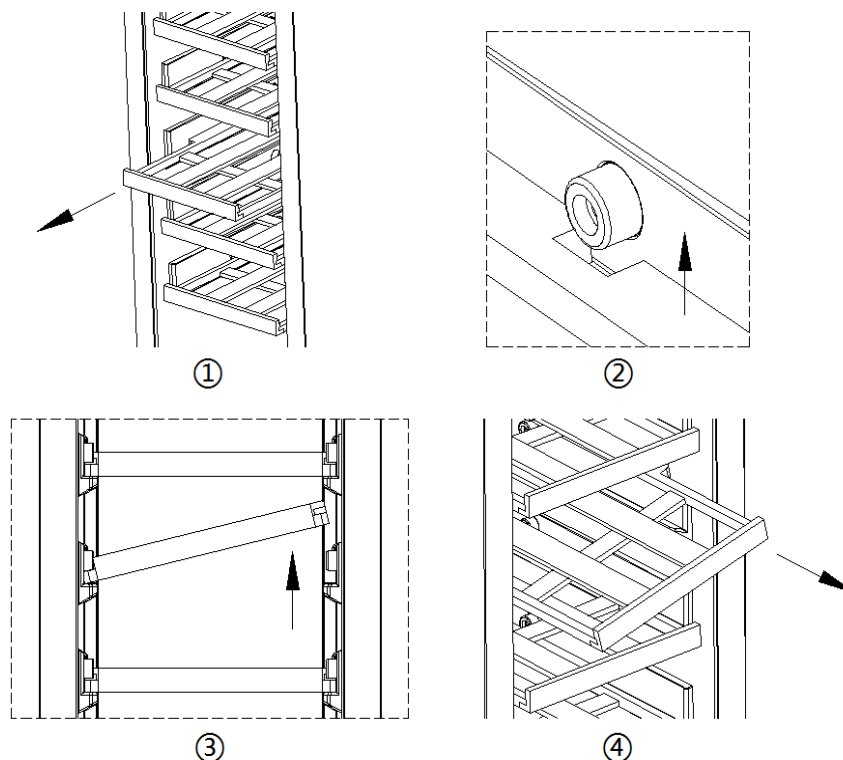
ARRIÈRE



*Ajouter 1/2" pour les modèles intégrés avec panneau de 3/4" installé.

Comment retirer les étagères

1. Retirez toutes les bouteilles des étagères.
2. Gardez la porte complètement ouverte pour retirer les étagères.
3. Tirez l'étagère vers l'extérieur (voir ①) jusqu'à ce que la rainure de chaque côté de l'étagère soit vis-à-vis des chevilles en plastique de chaque côté du meuble (voir ②). Soulevez ensuite l'étagère d'un côté (voir ③), et tirez-la vers l'extérieur (voir ④)



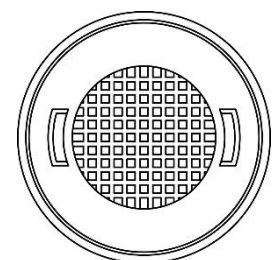
Inverser le sens de l'ouverture de la porte

La porte de cet appareil peut s'ouvrir vers la droite ou vers la gauche. L'appareil vous est livré avec la porte s'ouvrant vers la gauche. Si vous souhaitez inverser le sens d'ouverture, veuillez suivre les instructions ci-dessous.

1. Ouvrez la porte.
 2. À l'aide d'un tournevis Philips, retirez les vis des coins supérieur et inférieur gauche de l'appareil.
 3. À l'aide d'un tournevis Philips, retirez les deux vis des charnières supérieure et inférieure.
- AVERTISSEMENT : Pour éviter que la porte ne tombe, elle doit être tenue par une personne avant que les vis ne soient desserrées par une deuxième personne.
4. Faites pivoter la porte à 180°, alignez la charnière sur le trou de vis et faites-la glisser en position. Serrez les vis en haut et en bas.
 5. Retirez le plateau de l'interrupteur du haut de la porte et réinstallez-le dans le trou de montage central au bas de la porte.
 6. Réinstallez les vis précédemment retirées dans les coins supérieur et inférieur droit de l'unité.

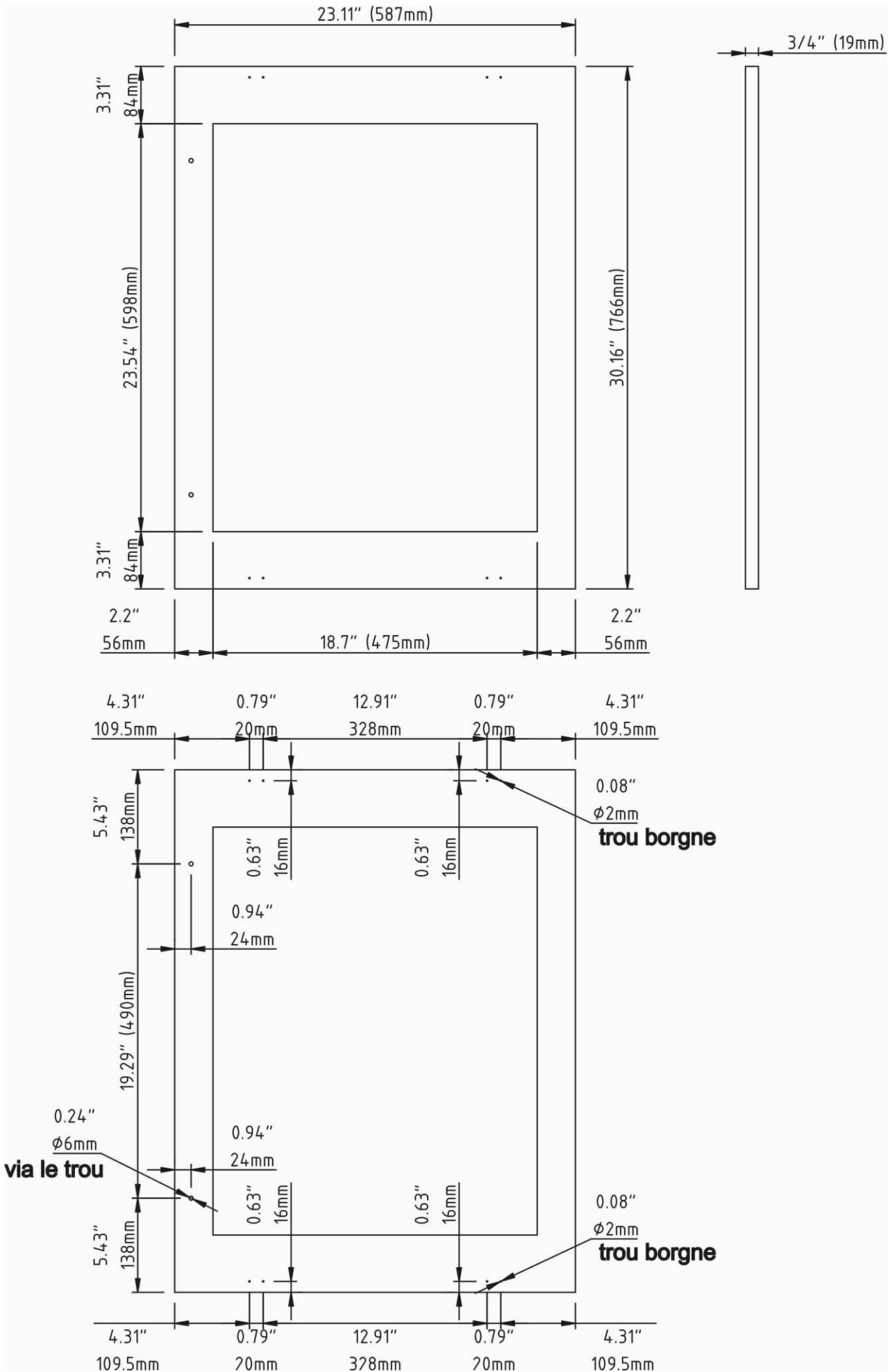
Filtre à charbon

Un filtre à charbon intégré protège vos vins en agissant comme une barrière naturelle contre les odeurs nocives. Le filtre à charbon doit être remplacé tous les 9 à 12 mois en fonction du niveau d'exposition de l'appareil aux odeurs. Si l'appareil est placé dans une cuisine, un remplacement régulier tous les trois mois est idéal.

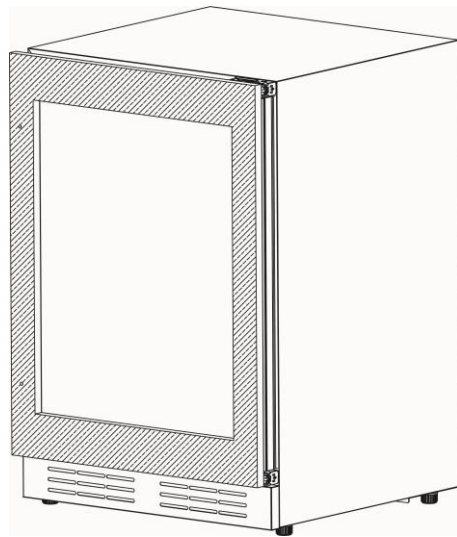


Retirez le filtre à charbon en le tournant dans le sens inverse des aiguilles d'une montre pour le déverrouiller du panneau arrière.

Installation du panneau



Dimension du panneau de recouvrement:	
Largeur du panneau de porte	23.11"
Hauteur du panneau de porte	30.16"
Profondeur du panneau de porte	3/4" max
Poids du panneau de porte	10 lb. max
Largeur de la zone visible	18.7"
Hauteur de la zone visible	23.54"



Outils nécessaires:

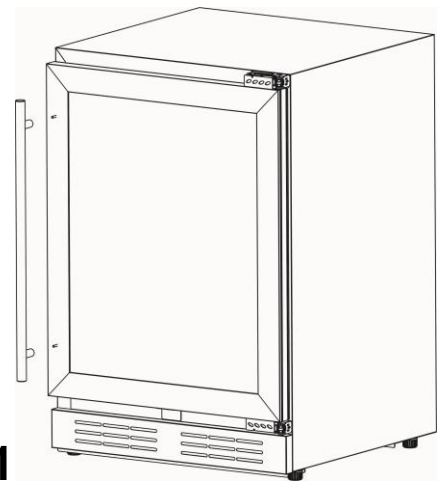
- Tournevis Phillips

REMARQUE : La longueur des vis de fixation du panneau de recouvrement doit être de 3/4" plus l'épaisseur du panneau, moins 1/4" ($3/4" + \text{épaisseur du panneau de recouvrement} - 1/4" = \text{longueur de la vis}$). Les types et longueurs de vis peuvent varier en fonction du matériau utilisé.

Voir les pages 43 pour les dimensions du panneau de recouvrement avant l'installation.

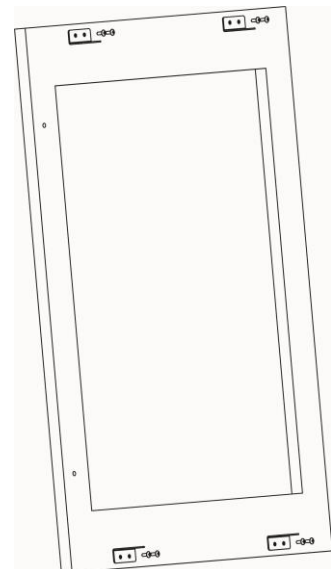
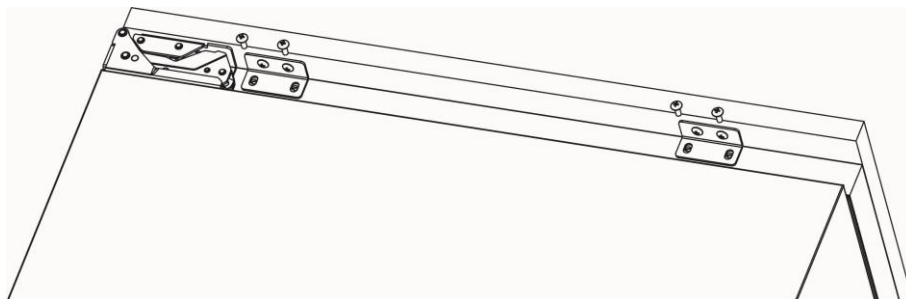
REMARQUE : N'INSTALLEZ PAS UN PANNEAU SOLIDE SUR UNE PORTE VITRÉE. CELA POURRAIT ENTRAÎNER LA FORMATION D'HUMIDITÉ DERRIÈRE LE PANNEAU ET CAUSER DES DOMMAGES.

1. Utilisez le tournevis Phillips pour retirer la vis de la poignée et retirez la poignée. Conservez la poignée et les vis pour une réinstallation ultérieure.
2. Placez le panneau de recouvrement sur une surface plane et dure et sûre, localisez les quatre supports de panneau dans le sac d'accessoires et fixez les quatre supports en fonction des trous de montage sur le panneau.
3. Alignez le panneau assemblé avec les trous de montage en haut et en bas du corps de la porte et serrez les vis pour le fixer.



1

3

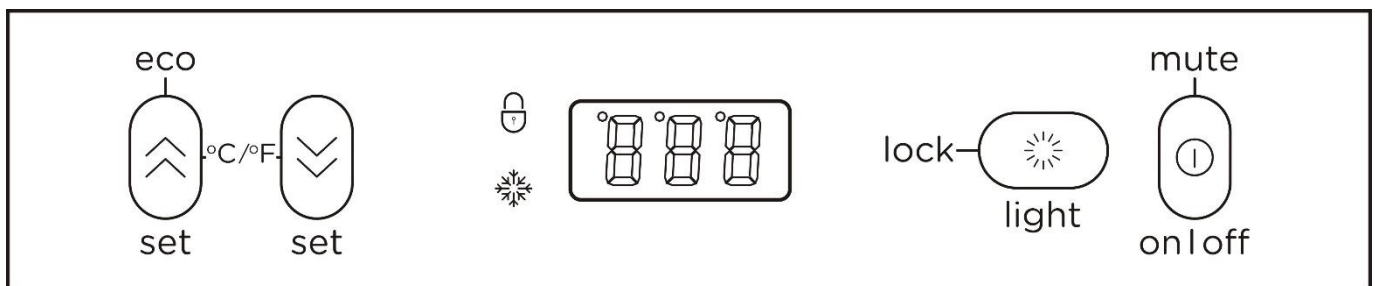


2

UTILISATION DE VOTRE APPAREIL

- Températures recommandées pour la réfrigération du vin :
Vins rouges : 15 à 18°C (59 à 64,4°F)
Vins secs / blancs : 9 à 14°C (48,2 à 57,2°F)
Vins mousseux : 5 à 8°C (41 à 46,4°F)
- L'appareil doit être placé dans un endroit où la température ambiante est comprise entre 18 et 38 °C (65 et 100 °F). Si la température ambiante est supérieure ou inférieure à cette plage, les performances de l'appareil pourraient en être affectées. Soumettre votre appareil à des conditions de froid ou de chaleur extrêmes peut en faire fluctuer la température intérieure.
- Branchez le cordon d'alimentation à une prise correctement mise à la terre.
- Cet appareil est équipé d'un circuit de mémoire intégré (Memory IC) - en cas d'interruption de courant, l'appareil se remettra automatiquement en marche selon le dernier réglage.

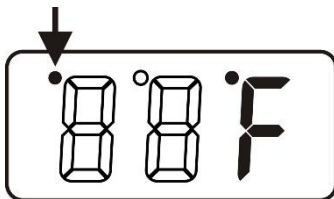
Panneau de contrôle :







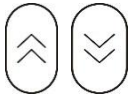
Mode de contrôle intelligent

- Lorsque la porte est ouverte, la lumière intérieure s'allume automatiquement et le ventilateur intérieur cesse de fonctionner.
- Lorsque la porte est fermée, la lumière intérieure s'éteint automatiquement.
- Alarme de porte ouverte : lorsque la porte est laissée ouverte durant plus de 5 minutes, l'alarme se déclenche, tandis que le compresseur et le ventilateur extérieur s'arrêtent.







Quitter de force le mode de contrôle intelligent



- Appuyez simultanément sur les boutons  et  durant 5 secondes, le petit point dans le coin supérieur gauche de l'affichage LED s'allumera.
- Une fois le mode de contrôle intelligent désactivé, l'alarme ne se déclenchera pas si la porte est ouverte durant plus de 5 minutes et la lumière intérieure ne pourra être allumée qu'en appuyant sur le bouton.
- Pour réactiver le mode de contrôle intelligent, appuyez simultanément sur les boutons  et  durant 5 secondes.

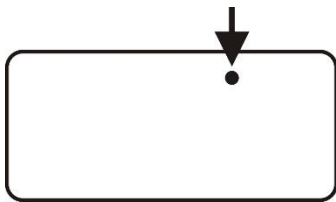




Ajuster le contrôle de température

- Ajustement de la température: 1°C à 18°C (34°F à 65°F)
- Réglez la température souhaitée en appuyant sur les boutons suivants   pour l'augmenter ou la diminuer. Chaque pression correspond à une variation de 1 degré. Une fois la pression relâchée, la température réglée clignote durant environ 5 secondes, puis revient à l'affichage de la température interne.
- Pour voir votre température ciblée, appuyez une fois sur l'un des boutons  ou  et l'affichage LED fera clignoter le chiffre durant 5 secondes.
- L'appareil peut afficher la température en degrés Celsius ou Fahrenheit. Pour passer de l'un à l'autre, pressez et maintenez les deux boutons   simultanément durant environ 3 secondes.

Remarque : la température intérieure peut varier légèrement selon que l'ampoule de l'appareil est allumée ou éteinte. Elle peut aussi être affectée par la disposition des bouteilles, selon qu'elles sont placées dans la partie supérieure, moyenne ou inférieure.

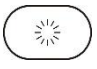
Mode ÉCO :




- Pour activer ou désactiver le mode Éco, pressez et maintenez le bouton  durant 3 secondes.
- Lorsque ce mode est activé, le voyant LED intérieur, l'indicateur du compresseur  et la valeur de température sur le panneau d'affichage sont éteints et le ° s'allume dans le coin supérieur gauche de °C / °F.

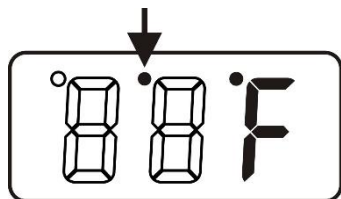



Luminosité/Verrouillage

- Mode de luminosité de l'affichage LED : avec le circuit de mémoire intégré (Memory IC), le niveau de luminosité par défaut – établi à 100 % – est restauré lors du redémarrage après une interruption de courant.
- À chaque fois que le bouton  est pressé, le niveau de luminosité de l'affichage LED passe à la position suivante du cycle de quatre niveaux (100 %, 75 %, 50 %, OFF)
- Pressez et maintenez durant 3 secondes pour verrouiller ou déverrouiller le panneau de contrôle.

Mode éclairage d'ambiance


Appuyez sur le bouton  pour régler la luminosité de la lumière sur 100 %, 75 %, 50 %. Le petit point au milieu du panneau d'affichage s'allume et l'éclairage intérieur passe automatiquement en mode ambiance : la lumière intérieure est allumée (les lumières intérieures sont toujours allumées, que la porte soit ouverte ou fermée,).



Quitter le mode éclairage d'ambiance : appuyez sur le bouton  pour régler la luminosité de la lumière sur OFF. Le petit point au milieu du tableau d'affichage s'éteint, la lumière intérieure quitte le mode éclairage d'ambiance et revient en mode de contrôle intelligent.



Interrupteur/Sourdine

- Pour allumer ou éteindre l'appareil, pressez et maintenez le bouton ON/OFF durant 3 secondes.
- Lorsque l'alarme de porte ouverte est activée, le son d'alerte se déclenche en continu. Appuyez une fois sur  pour faire cesser l'alarme. Contactez le département de service pour obtenir des conseils.



VERROUILLAGE




Lorsqu'allumé, ce voyant indique que le panneau de contrôle est verrouillé.



EN FONCTION

Lorsque le compresseur de l'appareil fonctionne, ce voyant s'allume pour indiquer que le mode de refroidissement est activé.

Mode Démo

- Pour activer ou désactiver le mode démo, pressez et maintenez les boutons  ,  et  simultanément durant 10 secondes.
- Lorsque ce mode est activé, les réglages du panneau d'affichage sont accessibles, mais la température affichée demeure fixe à 12°C (54°F) et tous les ventilateurs et le compresseur ne fonctionnent pas.



Dégivrage

- Dans les conditions de fonctionnement normales, l'appareil se dégivre automatiquement.
- L'évaporateur situé derrière la paroi arrière de l'appareil se dégivre automatiquement et l'eau s'écoule par le tuyau d'évacuation situé à l'arrière du produit. L'utilisateur doit assurer une connexion à l'égout ou utiliser un appareil pour emmagasiner l'eau. (dans le cas de l'utilisation d'un appareil, vous devez veiller à vider l'eau régulièrement).
- De la glace peut toutefois s'accumuler sur l'évaporateur si l'appareil est ouvert à plusieurs reprises dans un endroit où la chaleur ou l'humidité sont élevées. Si cette glace ne disparaît pas dans les 24 heures, votre appareil devra être dégivré manuellement.

Mode de dégivrage automatique : Pressez les boutons  et  simultanément durant 10 secondes pour activer le mode de dégivrage automatique.

Mode sabbat



- pressez et maintenez les boutons  et  simultanément durant au moins 5 secondes pour activer ou désactiver le mode « sabbat ». Dans ce mode, l'affichage LED indiquera « Sb ». Ce mode éteint les affichages et la lumière intérieure, les empêchant de s'allumer de nouveau. Les opérations normales de refroidissement continueront à avoir lieu. Le compresseur et le ventilateur fonctionneront normalement.
- Le mode « sabbat » ne se désactive pas automatiquement lorsque l'appareil est éteint. Il demeure activé lorsque l'appareil est rallumé et ne se désactive automatiquement qu'après 96 heures.

Fonction alerte de température

Si la température ambiante est supérieure ou égale à 30°C (86°F) durant 2 heures, l'alerte de température élevée sera activée. L'affichage LED indiquera « HH », l'alarme sonnera en continu et le système de refroidissement continuera à fonctionner. L'affichage ne reviendra à la normale que lorsque les conditions de température élevée seront terminées.

Si la température ambiante est inférieure à 0°C (32°F) durant 1 heure, l'alerte de température basse sera activée. L'affichage LED indiquera « LL », l'alarme sonnera en continu et le système de refroidissement continuera de fonctionner. L'affichage ne reviendra à la normale que lorsque les conditions de température basse seront terminées.

Remarques :

- Il est normal que le cabinet affiche « HH » ou « LL » de temps en temps. Si cela se produit fréquemment ou dure longtemps, vous pouvez redémarrer l'appareil en le débranchant, puis en le rebranchant après 5 minutes. Si le problème persiste après le redémarrage, veuillez contacter le service à la clientèle.
- Attendez de 3 à 5 minutes avant de rebrancher l'appareil, sinon vous risquez d'endommager votre appareil. Si vous tentez de remettre l'appareil en marche avant la fin de ce délai, celui-ci ne redémarrera pas.
- Si vous allumez l'appareil pour la première fois ou dans le cas d'un redémarrage, ou si l'appareil a subi une longue période d'arrêt, une différence de température entre la température à l'intérieur de l'appareil et celle indiquée sur l'affichage LED peut survenir. Il s'agit d'un événement normal causé par la durée de la période d'activation. Laissez l'appareil allumé durant plusieurs heures et l'écart disparaîtra.

NETTOYAGE ET ENTRETIEN

Nettoyage de l'appareil

1. Coupez le courant, débranchez l'appareil et retirez tout le contenu.
2. Lavez les surfaces intérieures avec une solution d'eau chaude et de bicarbonate de soude. La solution doit être composée d'environ 2 cuillères à soupe de bicarbonate de soude pour un litre d'eau.
3. Lorsque vous nettoyez la zone des commandes ou toute pièce électrique, essorez l'éponge ou le chiffon pour éliminer l'excès d'eau.
4. Laver l'extérieur du cellier avec une solution chaude de détergent liquide doux. Rincez bien et essuyez avec un chiffon propre et doux.

Panne de courant

La plupart des pannes de courant sont rétablies en quelques heures. Si l'interruption est prévue pour durer une période plus longue, vous devez prendre les mesures nécessaires pour protéger le contenu de votre cellier.

Transport de l'appareil

Si vous devez déplacer votre appareil une fois que la boîte a été jetée :

1. Fixez solidement tous les éléments mobiles à l'intérieur de votre appareil à l'aide de ruban adhésif.
2. Vissez les pieds réglables vers le haut, jusqu'à la base, pour éviter tout dommage.
3. Assurez-vous que l'appareil reste bien en position verticale pendant le transport. Protégez également l'extérieur de l'appareil avec une couverture ou un recouvrement similaire.

Conseil pour l'économie d'énergie

L'appareil doit être placé dans la zone la plus fraîche de la pièce, loin des appareils produisant de la chaleur et à l'abri de la lumière directe du soleil.

PROBLÈMES AVEC VOTRE APPAREIL

Vous pouvez résoudre facilement de nombreux problèmes courants. Cela vous permettra d'économiser les frais liés à un éventuel appel de service. Essayez les suggestions ci-dessous pour voir si vous pouvez résoudre le problème avant d'appeler le service de réparation.

GUIDE DE RÉOLUTION DE PROBLÈMES

PROBLÈME	CAUSE POSSIBLE	SOLUTION
L'appareil ne fonctionne pas.	<ul style="list-style-type: none"> L'appareil est en train de se dégivrer automatiquement selon des conditions de fonctionnement normales. L'appareil est éteint. Disjoncteur déclenché ou fusible grillé. 	<ul style="list-style-type: none"> Connectez l'appareil. Allumez l'appareil. Réactivez le disjoncteur ou remplacez le fusible.
L'appareil ne refroidit pas assez.	<ul style="list-style-type: none"> La température n'est pas réglée correctement. La température ambiante pourrait nécessiter un réglage plus bas. Le condenseur est trop sale. L'ouverture de ventilation est bloquée ou trop poussiéreuse. 	<ul style="list-style-type: none"> Vérifiez la température ciblée. Réglez à une température plus basse. Nettoyez le condenseur si nécessaire. Nettoyez les obstructions et essuyez la poussière.
L'appareil s'allume et s'éteint fréquemment	<ul style="list-style-type: none"> La température ambiante est supérieure à la moyenne. Un grand nombre de bouteilles a été ajouté à l'appareil. 	<ul style="list-style-type: none"> Placez l'appareil dans un endroit plus frais. Laissez l'appareil fonctionner durant un certain temps, jusqu'à ce que la température réglée soit atteinte.
La lumière ne fonctionne pas.	<ul style="list-style-type: none"> L'appareil n'est pas connecté à une alimentation électrique. Disjoncteur déclenché ou fusible grillé. La lumière a été éteinte avec le panneau de contrôle. 	<ul style="list-style-type: none"> Branchez l'appareil. Réactivez le disjoncteur ou remplacez le fusible. Allumez la lumière.
Vibrations	<ul style="list-style-type: none"> L'appareil n'est pas au niveau. 	<ul style="list-style-type: none"> Mettez l'appareil au niveau à l'aide des pieds réglables.
L'appareil semble faire trop de bruit.	<p>Le bruit de frottement peut provenir de l'écoulement du réfrigérant, ce qui est normal. À la fin de chaque cycle, vous pouvez entendre des gargouillements causés par le flux de réfrigérant dans votre appareil.</p> <p>Si des fluctuations de température se produisent, la contraction et l'expansion des parois intérieures peuvent provoquer des bruits de claquement et des cliquetis.</p>	<ul style="list-style-type: none"> Mettez l'appareil au niveau à l'aide des pieds réglables.
« E1 », « E2 » s'affichent.	<ul style="list-style-type: none"> « E1 » ou « E2 » indiquent que le senseur de température est défectueux. 	<ul style="list-style-type: none"> Appelez le service technique.

REMARQUE: Cet appareil pour l'entreposage et la présentation des vins est destiné à être utilisé exclusivement pour usage domestique, dans les environnements résidentiels ou similaires. Ne doit pas être utilisé dans les restaurants, les hôtels (sauf pour une utilisation personnelle par le client), les bars et autres lieux commerciaux.